

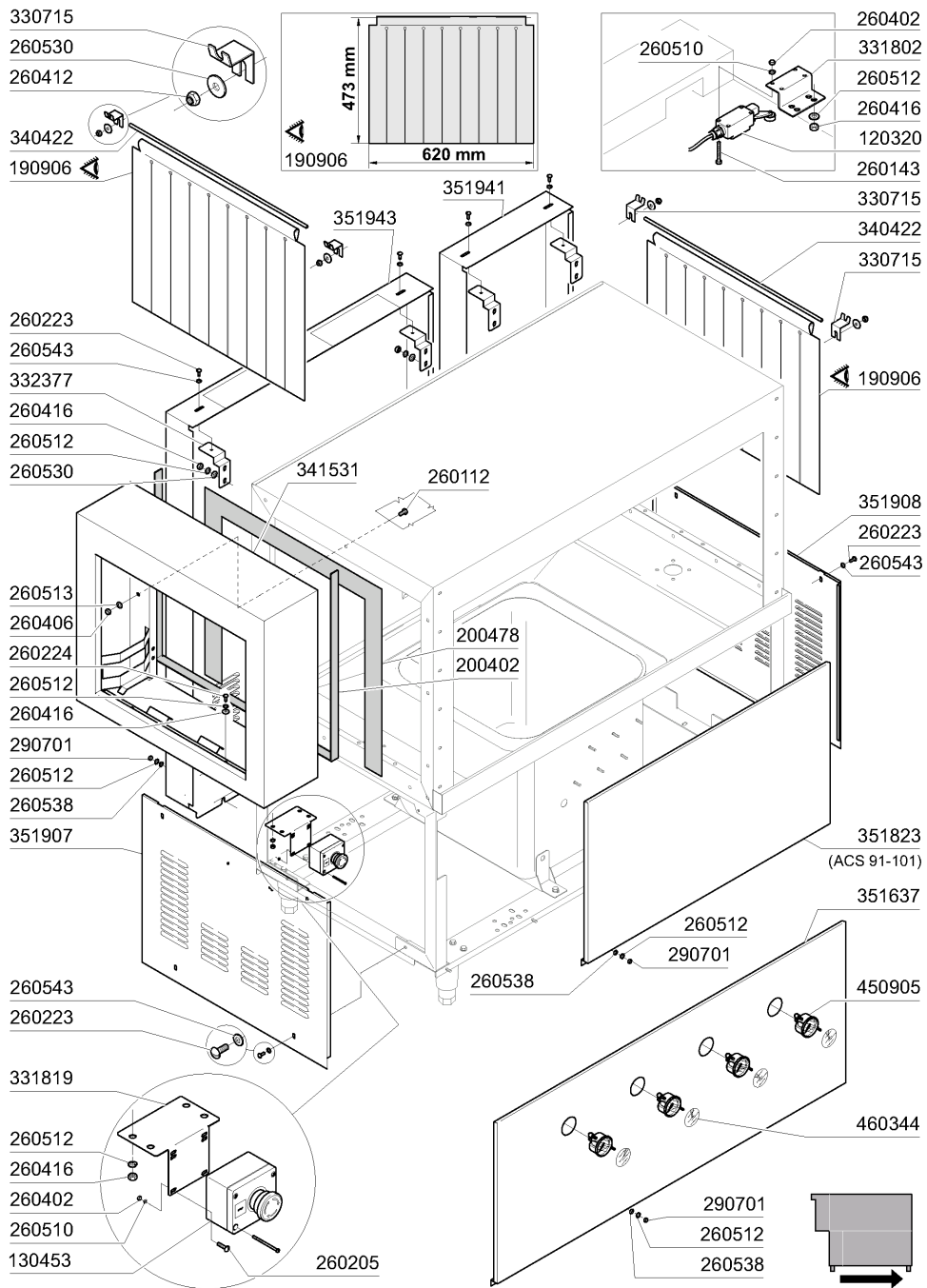
2 - Frame



01 - 2005 S. AG.

2 - Frame

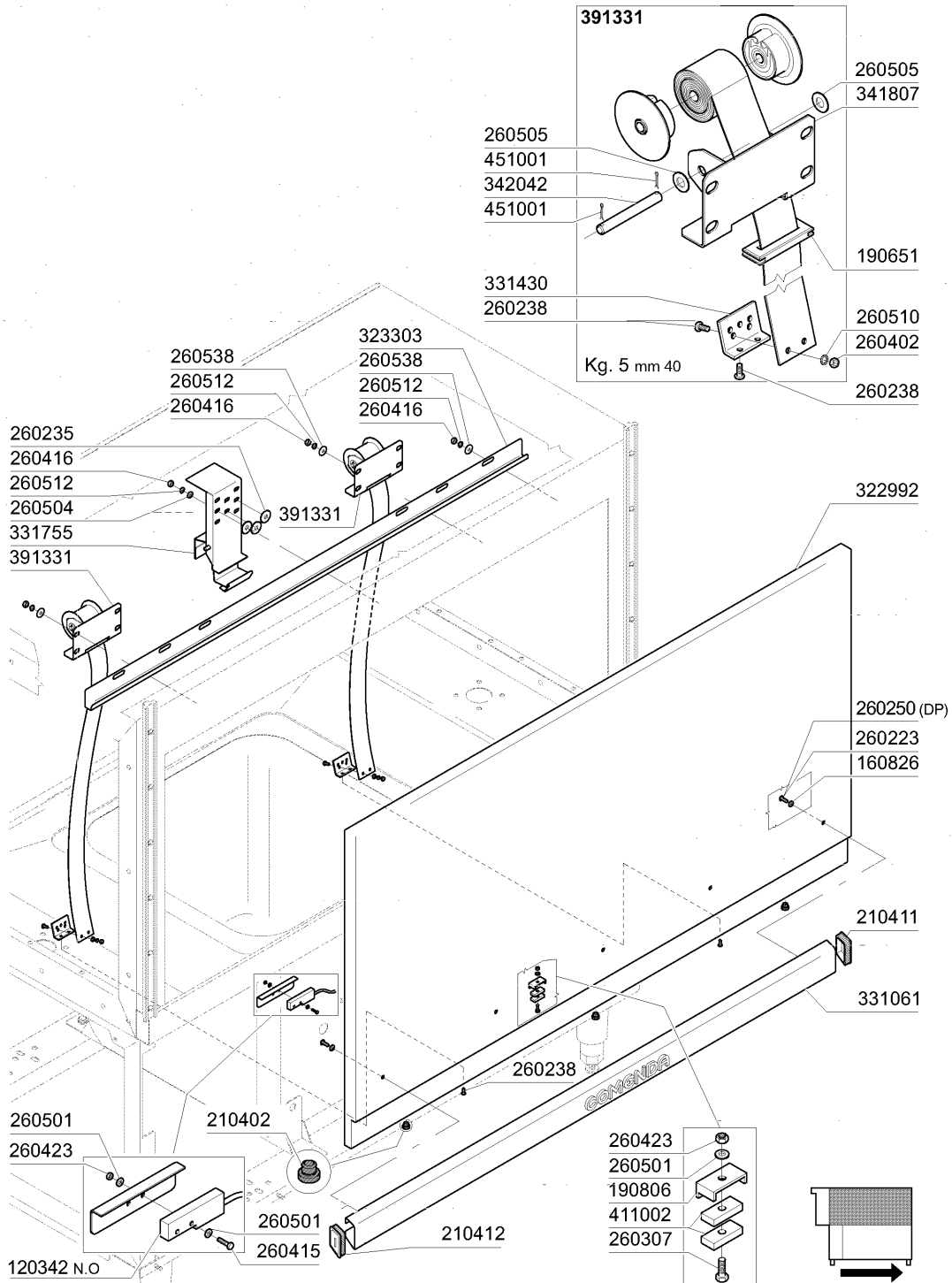
| CODE | DESCRIPTION |
|--------|--------------------------------|
| 160805 | GASKET D.8 |
| 180630 | DOUBLE SKINNED DOOR RUNNER -AC |
| 200935 | GASKET |
| 210404 | BLACK RUBBER FOOT S90 NE SE |
| 260113 | STAINL.ST.TE SCREW 8X20 A2 UNI |
| 260116 | SCREW TE 8X35 |
| 260224 | TB-SCREW 6X15 B23-10-11-12 |
| 260250 | SCREW TB 5X20 |
| 260404 | STAINLESS STEEL NUTS D6 UNI 55 |
| 260406 | NUT 8MA |
| 260414 | SELF-LOCKING NUT M5 |
| 260416 | STAINLESS STEEL NUTS M6 |
| 260504 | ST/ST FLAT WASHER D6 |
| 260505 | STAINL.STEEL FLAT WASHER D8 |
| 260512 | ST/ST GROWER WASHER D6 |
| 260513 | GROWER WASHER D8 |
| 260530 | STAINL.ST WASHER 7X22X2 |
| 260538 | WASHER 18X6X1,5 ST/ST |
| 320691 | PLATE |
| 321057 | LOWER WASH ARM SUPPORT |
| 322585 | GUIDE 1300 |
| 323303 | BRACKET FOR DOOR 1300 |
| 323477 | TRAVERSA SOST.VASCHE AC/ACR |
| 331116 | DOOR SECURITY HOOK |
| 341016 | BRAKET FOR DOOR SECURITY HOOK |
| 342471 | CAPOT 1300 PER AC ANNO 2001 |
| 361038 | CHASSIS FOR AC |
| 361062 | TRAVERSA TELAIO MOTORID AC2001 |
| 361075 | TELAIO SOST.CAPOT1300 AC2001 |
| 620222 | COMPLETE ALUMINIUM LEGS |



07 - 2007 S. AG.

3 - Hood

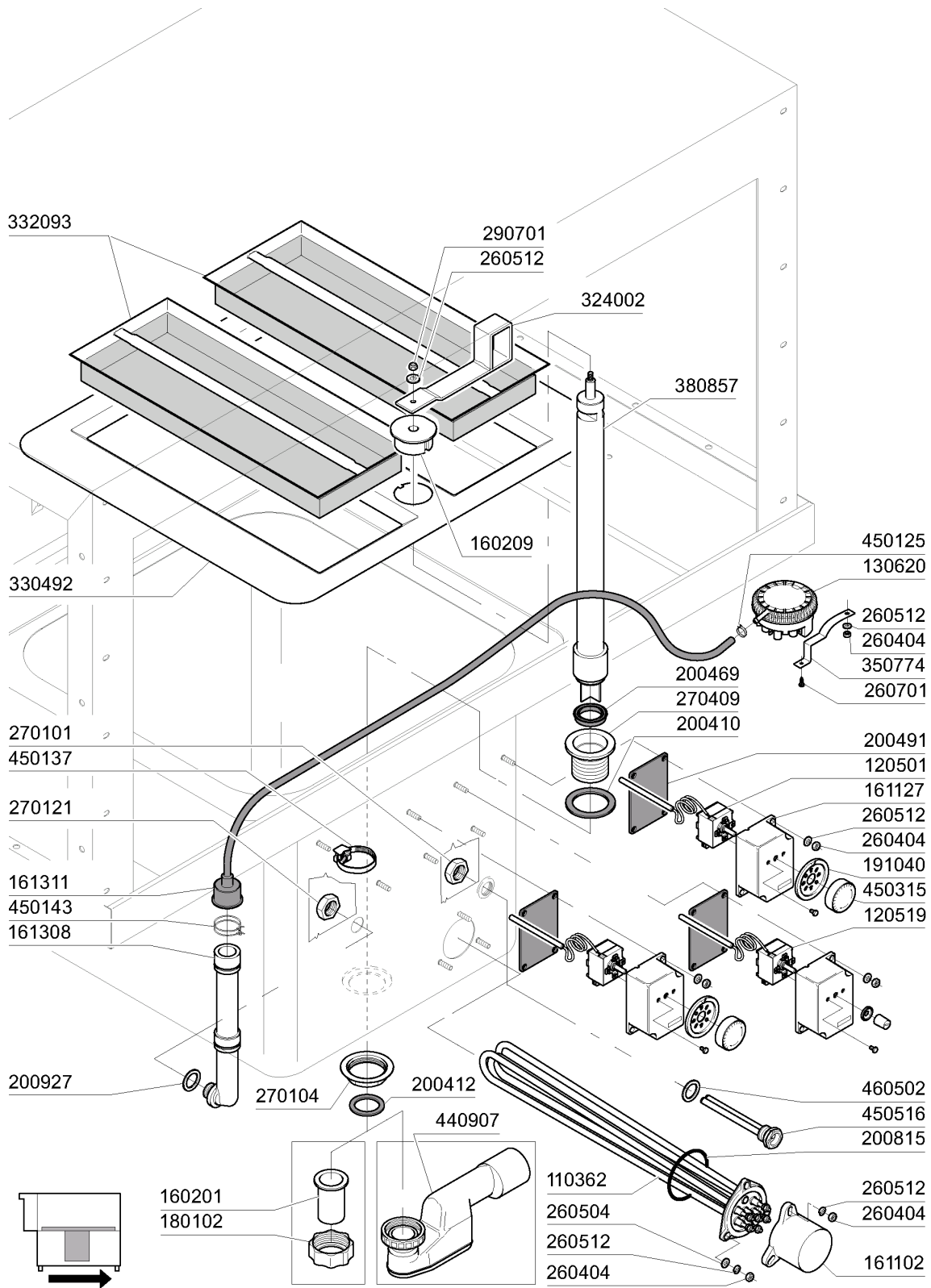
| CODE | DESCRIPTION |
|--------|--------------------------------|
| 120320 | LIMIT SWITCH WITH LEVER |
| 130453 | EMERGENCY RED PUSH BUTTON |
| 190906 | CURTAIN IN/OUT 620X480 |
| 200402 | SELF-ADHES.RUBB.SPONGE STRIPS |
| 200478 | SELF-ADHESIVE GASKET 65X4 |
| 260112 | STAINLESS STEEL TE-SCREW 8X16 |
| 260143 | SCREW |
| 260205 | SCREW TCP 4X16 |
| 260223 | M5X12 MSH/HD SCREW SPECIAL S/S |
| 260224 | TB-SCREW 6X15 B23-10-11-12 |
| 260402 | STAINLESS STEEL NUT D4 UNI 55 |
| 260406 | NUT 8MA |
| 260412 | SELF-LOCKING NUT M6 |
| 260416 | STAINLESS STEEL NUTS M6 |
| 260510 | GROWER WASHER D.4 |
| 260512 | ST/ST GROWER WASHER D6 |
| 260513 | GROWER WASHER D8 |
| 260530 | STAINL.ST WASHER 7X22X2 |
| 260538 | WASHER 18X6X1,5 ST/ST |
| 260543 | WASHER D.6 ST/ST |
| 290701 | HEXAGON BLIND NUTS GM H12 |
| 330715 | UPPER BRACKET CURTAIN SNL-SE |
| 331802 | MICRO SWITCH BRACKET AC |
| 331819 | BRACKET FOR EMERGENCY PUSH BUT |
| 332377 | SQUADR.AGG.PANN.POST.AC/R/2001 |
| 340422 | SHAFT FOR CURTAIN AC-ACR |
| 341531 | HOOD |
| 351637 | FRONT PANEL WITH THERMOMETERS |
| 351823 | FRONT PANEL ACS91/101 |
| 351907 | PANN.LAT.LE SX AC COIBENTATE |
| 351908 | PANN.LAT.LE DX AC COIBENTATE |
| 351941 | BACK PANEL 400 |
| 351943 | BACK PANEL 900 |
| 450905 | CAPIL.THERMOMETER D.52 1,5M |
| 460344 | PLATE |



4 - Door 1300mm

| CODE | DESCRIPTION |
|--------|--------------------------------|
| 120342 | DOR MAGNETIC SWITCH |
| 160826 | GASKET 14X6,2X2 B41-F2 |
| 190651 | BUSH |
| 190806 | MAGNET HOUSING |
| 210402 | PAD FOR DOOR 15-149 |
| 210411 | RIGHT PLUG FOR ACR/AC HANDLE |
| 210412 | LEFT PLUG FOR ACR/AC HANDLE |
| 260223 | M5X12 MSH/HD SCREW SPECIAL S/S |
| 260235 | SCREW |
| 260238 | M4 X 10 MUSH/HD SCREW |
| 260250 | SCREW TB 5X20 |
| 260307 | SCREW TSP 3X20 |
| 260402 | STAINLESS STEEL NUT D4 UNI 55 |
| 260415 | STAINLESS STEEL SELF-LOCKING N |
| 260416 | STAINLESS STEEL NUTS M6 |
| 260423 | SELF-LOCKING NUT M3 |
| 260501 | STAINL.STEEL FLAT WASHER D3 UN |
| 260504 | ST/ST FLAT WASHER D6 |
| 260505 | STAINL.STEEL FLAT WASHER D8 |
| 260510 | GROWER WASHER D.4 |
| 260512 | ST/ST GROWER WASHER D6 |
| 260538 | WASHER 18X6X1,5 ST/ST |
| 322992 | DOOR AC-ACR 1300MM |
| 323303 | BRACKET FOR DOOR 1300 |
| 331061 | DOOR HANDLE AC-ACR 1300MM |
| 331430 | BRACKET FOR DOOR SPRING |
| 331755 | HOOK FOR DOOR SUPPORT |
| 341807 | SUPPORTO INOX X MOLLA A NASTRO |
| 342042 | ALB.GRUPPO MOLLA DI BILANCIAM. |
| 391331 | SPRING ASSEMBLY KG. 5 MM 40 |
| 411002 | PERMANENT MAGNET 24X12 |
| 451001 | S/STEEL COTTER PIN D.2X24 |

5 - Wash Tank Components 1300mm

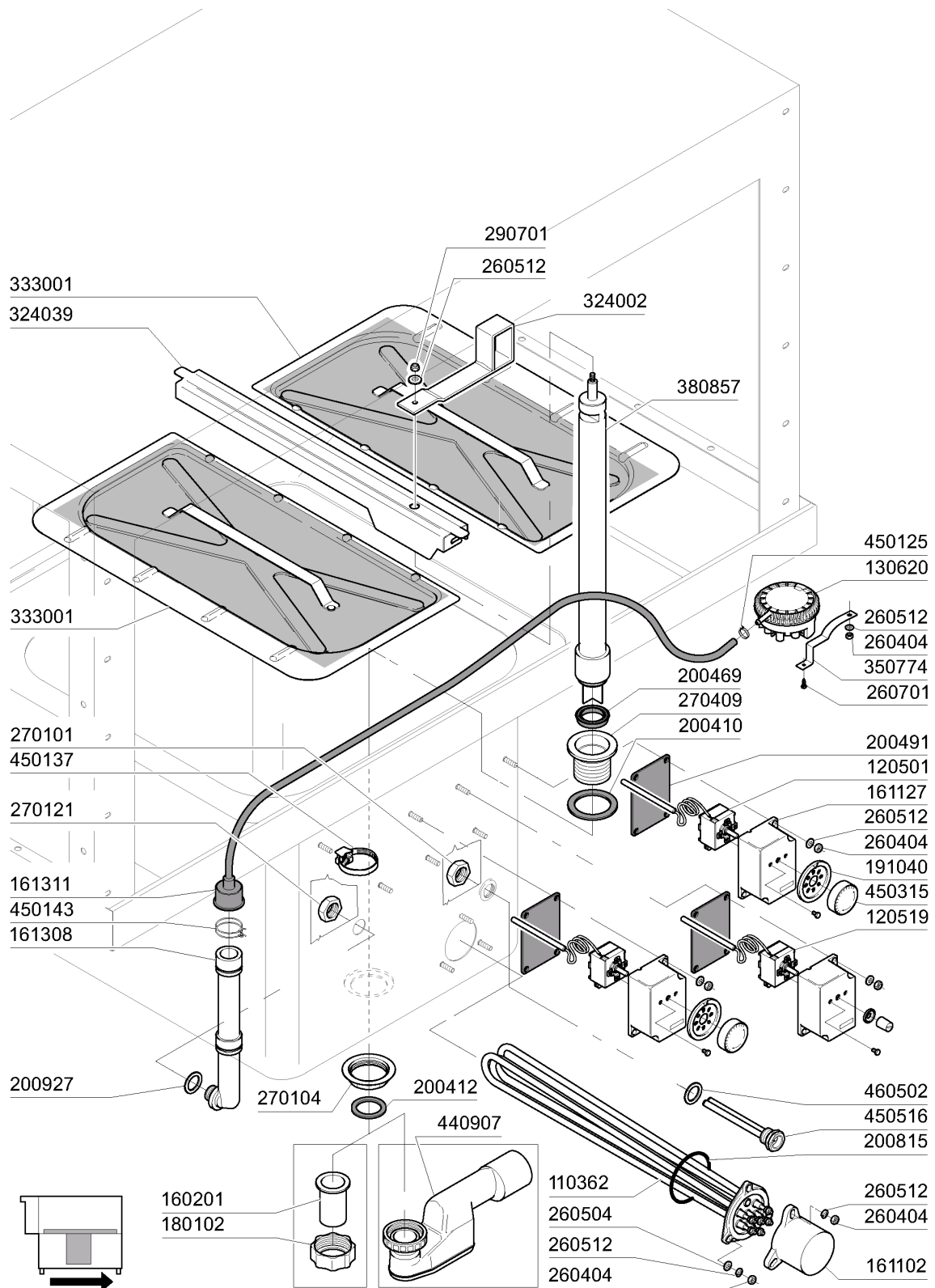


01 - 2005 S. AG.

5 - Wash Tank Components 1300mm

| CODE | DESCRIPTION |
|--------|--------------------------------|
| 110362 | HEAT.ELEMENT 9000W 220/380V |
| 120501 | THERMOSTAT 30/90°C |
| 120519 | SECURITY THERMOSTAT 95-125°C |
| 130620 | PRESSURE SWITCH 3 LEVEL 50-30/ |
| 160201 | ELBOW F.TANK INLET MOPLN |
| 160209 | ELBOW F.TANK INLET |
| 161102 | ELEMENT COVER MOPL. |
| 161127 | BOX FOR THERMOSTAT |
| 161308 | AIR CHAMBER C95-155 |
| 161311 | HOSE FOR AIR CHAMBER BC-BR-AC9 |
| 180102 | DRAIN PIPE NUT 1"1/2 F45-55 |
| 191040 | FRAME F.THERMOSTAT KNOB |
| 200410 | DRAIN OUTL.WASH.1 1/2"65X47X2 |
| 200412 | GASKET DRAIN 11/2" 45X33X3 |
| 200469 | STAND PIPE O RING 45X35,5X7 |
| 200491 | BACK GASKET OF THERMOSTAT BOX |
| 200815 | O-RING F. HEAT.ELEM. |
| 200927 | GASKET FOR AIR TRAP |
| 260404 | STAINLESS STEEL NUTS D6 UNI 55 |
| 260504 | ST/ST FLAT WASHER D6 |
| 260512 | ST/ST GROWER WASHER D6 |
| 260701 | SCREW 3,5X9,5 |
| 270101 | HEXAGON LOCK NUT 1/2" |
| 270104 | LOCK NUT 1" 1/2 |
| 270121 | NUT FOR AIR TRAP |
| 270409 | DRAIN OUTLET AC-ACR |
| 290701 | HEXAGON BLIND NUTS GM H12 |
| 324002 | OVERFLOW PIPE LEVER ACS |
| 330492 | WASH FILTER SUPPORT ACS |
| 332093 | STRAINER FOR WASH TANK ACS |
| 350774 | BRACKET |
| 380857 | OVERFLOW PIPE FOR WASH TANK |
| 440907 | SIPHON 1"1/2 |
| 450125 | ELASTIC CLAMP D. 10,4X9,8 |
| 450137 | COLLAR CONNECTION WITH BASE 31 |
| 450143 | CLAMP D.39,7 X 37,7 |
| 450315 | KNOB F. THERMOSTAT 90° |
| 450516 | THERMOSTAT SHIELD FOR 2 TERMOS |
| 460502 | GASKET 30X21X2 |

6 - Wash Tank Components 1300mm

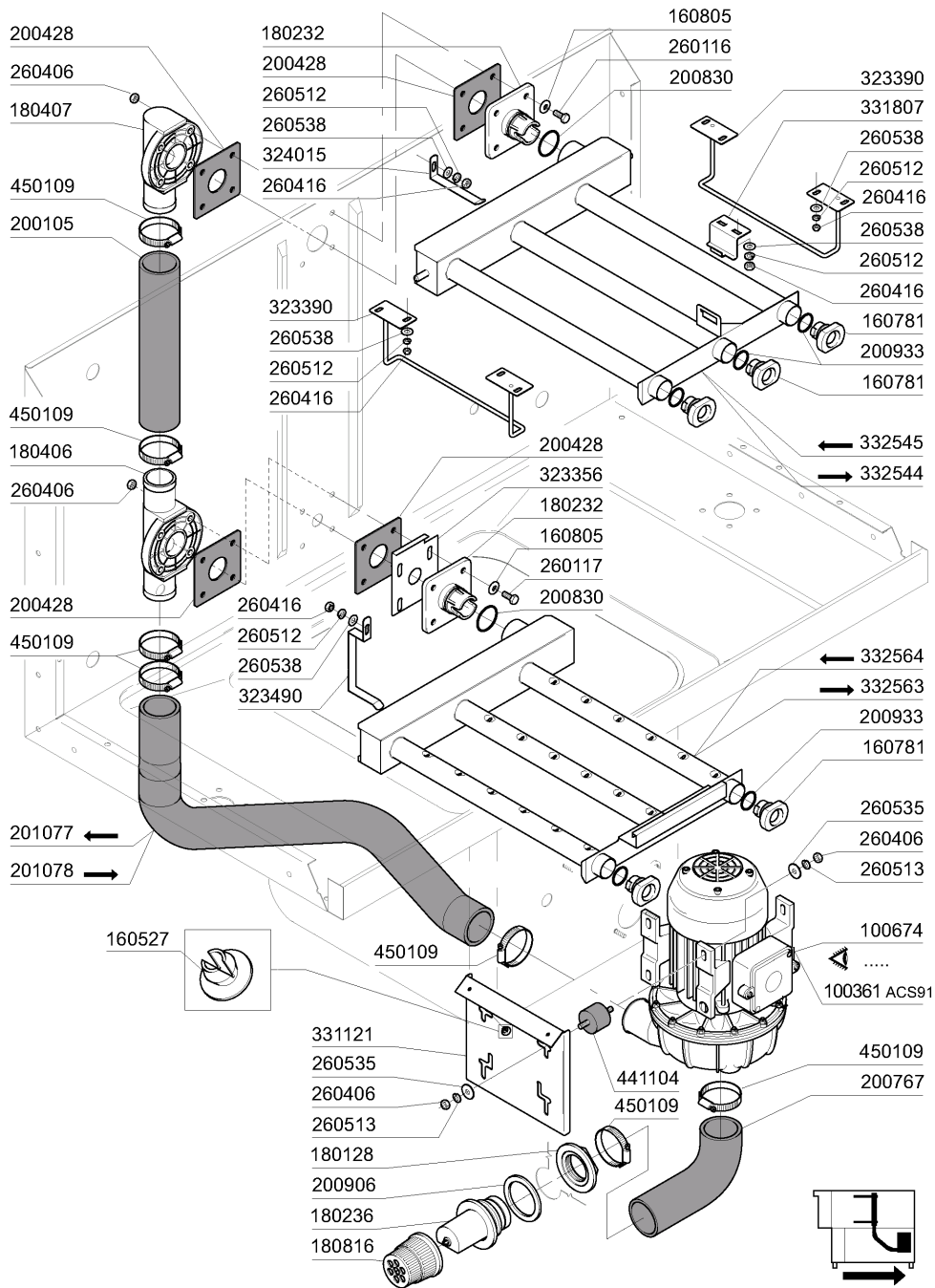


ed. 2005

01 - 2005 S. AG.

6 - Wash Tank Components 1300mm

| CODE | DESCRIPTION |
|--------|--------------------------------|
| 110362 | HEAT.ELEMENT 9000W 220/380V |
| 120501 | THERMOSTAT 30/90°C |
| 120519 | SECURITY THERMOSTAT 95-125°C |
| 130620 | PRESSURE SWITCH 3 LEVEL 50-30/ |
| 160201 | ELBOW F.TANK INLET MOPLN |
| 161102 | ELEMENT COVER MOPL. |
| 161127 | BOX FOR THERMOSTAT |
| 161308 | AIR CHAMBER C95-155 |
| 161311 | HOSE FOR AIR CHAMBER BC-BR-AC9 |
| 180102 | DRAIN PIPE NUT 1"1/2 F45-55 |
| 191040 | FRAME F.THERMOSTAT KNOB |
| 200410 | DRAIN OUTL.WASH.1 1/2"65X47X2 |
| 200412 | GASKET DRAIN 1 1/2" 45X33X3 |
| 200469 | STAND PIPE O RING 45X35,5X7 |
| 200491 | BACK GASKET OF THERMOSTAT BOX |
| 200815 | O-RING F. HEAT.ELEM. |
| 200927 | GASKET FOR AIR TRAP |
| 260404 | STAINLESS STEEL NUTS D6 UNI 55 |
| 260504 | ST/ST FLAT WASHER D6 |
| 260512 | ST/ST GROWER WASHER D6 |
| 260701 | SCREW 3,5X9,5 |
| 270101 | HEXAGON LOCK NUT 1/2" |
| 270104 | LOCK NUT 1" 1/2 |
| 270121 | NUT FOR AIR TRAP |
| 270409 | DRAIN OUTLET AC-ACR |
| 290701 | HEXAGON BLIND NUTS GM H12 |
| 324002 | OVERFLOW PIPE LEVER ACS |
| 324039 | FILTER GUIDE 900/1300 ACS |
| 333001 | STRAINER 900 ACS |
| 350774 | BRACKET |
| 380857 | OVERFLOW PIPE FOR WASH TANK |
| 440907 | SIPHON 1"1/2 |
| 450125 | ELASTIC CLAMP D. 10,4X9,8 |
| 450137 | COLLAR CONNECTION WITH BASE 31 |
| 450143 | CLAMP D.39,7 X 37,7 |
| 450315 | KNOB F. THERMOSTAT 90°C |
| 450516 | THERMOSTAT SHIELD FOR 2 TERMOS |
| 460502 | GASKET 30X21X2 |



01 - 2005 S. AG.

7 - Wash Column

| CODE | DESCRIPTION |
|--------|--------------------------------|
| 100361 | PUMP HP 2-220/380-50HZ-120404 |
| 100674 | PUMP HP 3 V.220-415-50HZ-1205 |
| 160527 | PLUG 14,5X2X8 |
| 160781 | PLUG FOR COLLECTOR NEW AC |
| 160805 | GASKET D.8 |
| 180128 | RING NUT 65,4 C140 C85 |
| 180232 | WASH ARM FLANGE SNL |
| 180236 | PUMP SUCTION FOR AC-ACR-C155 |
| 180406 | T-CONNECTOR F. WASHING S90-SNL |
| 180407 | ELBOW S90 S N L |
| 180816 | STRAINER OF INLET PUMP AC-ACR |
| 200105 | RUBBER HOSE 50X60 |
| 200428 | GASKET 100X100X3 NEOTEN |
| 200767 | OUTLET HOSE WASH ACR |
| 200830 | O-RING 37,3X44,5X3,6 |
| 200906 | GASKET D.92X66X2 |
| 200933 | OR 24/32/4 FOR PLUG COLLECTOR |
| 201077 | DELIVERY HOSE |
| 201078 | OUTLET HOSE |
| 260116 | SCREW TE 8X35 |
| 260117 | SCREW 8X40 |
| 260406 | NUT 8MA |
| 260416 | STAINLESS STEEL NUTS M6 |
| 260512 | ST/ST GROWER WASHER D6 |
| 260513 | GROWER WASHER D8 |
| 260535 | STAINL.ST WASHER 24X8,5X2 |
| 260538 | WASHER 18X6X1,5 ST/ST |
| 323356 | REGULAT. LOWER ARM BRACKET AC |
| 323390 | GUIDE |
| 323490 | BRACKET |
| 324015 | SQUADRETTA SOST.COLL.SUP. ACS |
| 331121 | FIXING PLATE FOR PUMP ACR |
| 331807 | BRACKET |
| 332544 | UPPER WASH ARM 1300 L/R ACS |
| 332545 | UPPER WASH ARM ACS |
| 332563 | LOWER WASH ARM 1300 L/R |
| 332564 | LOWER WASH ARM 1300 R/L |
| 441104 | VIBRATION-DAMPING FEET FOR ACR |
| 450109 | CLAMP 50-65 |



8 - Drive unit

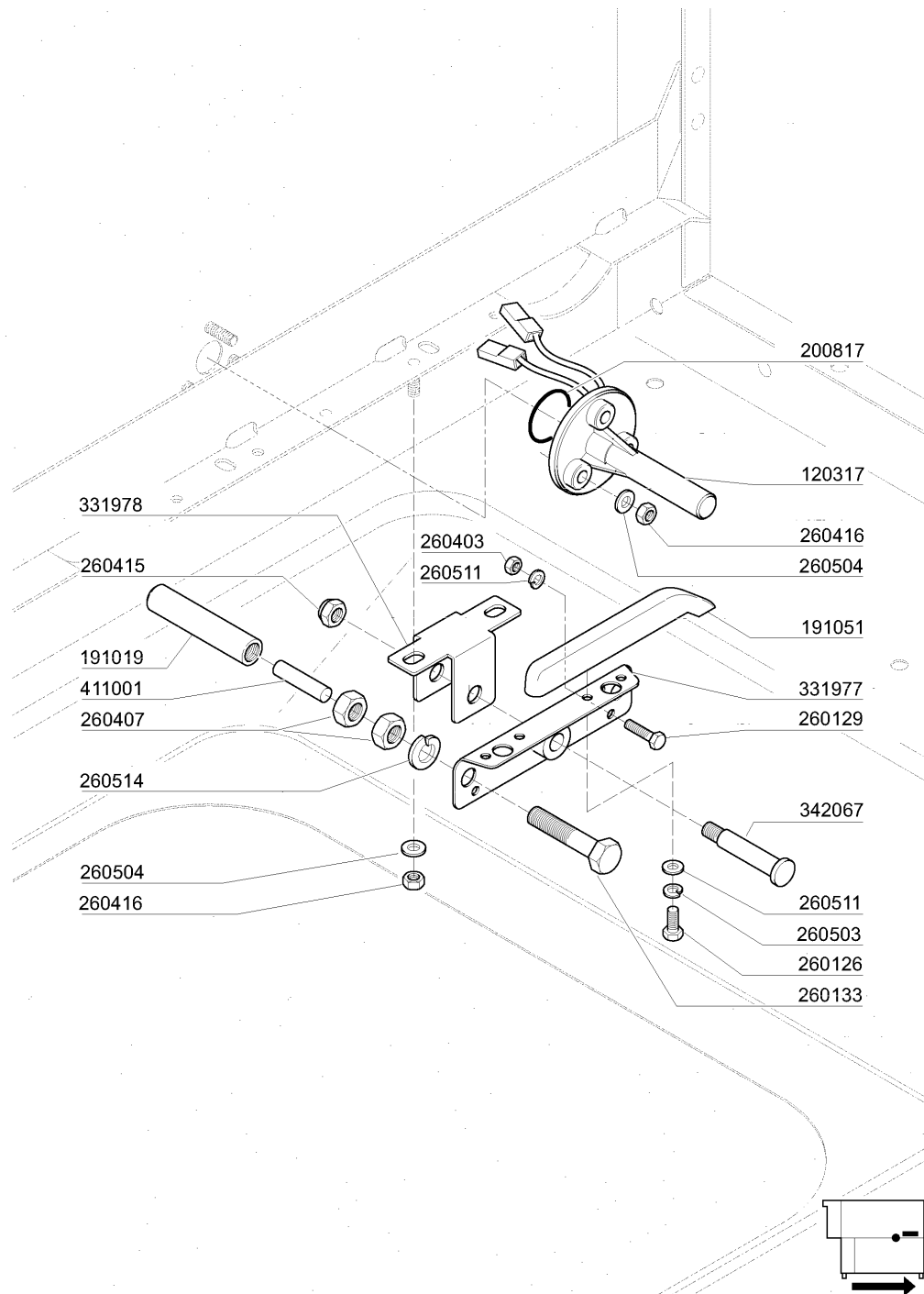
| CODE | DESCRIPTION |
|--------|--------------------------------|
| 100220 | DRIVE MOTOR KW0,12-220/380V/50 |
| 100225 | DRIVE MOTOR KW 0,12-220/380V-6 |
| 100246 | DRIVE KW 0,1-0,15 380/3 |
| 100252 | DRIVE MOTOR 0,1-0,15KW 380/60 |
| 190145 | SUPPORT F.PAWL BAR GUIDE AC |
| 190146 | CLAMPING PIECES AC |
| 200803 | OR GASKET 3,53X98,02X105,08 |
| 250203 | GRUB SCREW 8X12 |
| 250204 | GRUB SCREW 6X6 |
| 260105 | SCREW TE 6X20 |
| 260113 | STAINL.ST.TE SCREW 8X20 A2 UNI |
| 260116 | SCREW TE 8X35 |
| 260118 | SCREW 8X50 |
| 260126 | SCREW TE 5X12 |
| 260153 | SCREW TE 6X35 |
| 260235 | SCREW |
| 260406 | NUT 8MA |
| 260412 | SELF-LOCKING NUT M6 |
| 260414 | SELF-LOCKING NUT M5 |
| 260416 | STAINLESS STEEL NUTS M6 |
| 260503 | STAINL.STEEL FLAT WASHER D5 UN |
| 260504 | ST/ST FLAT WASHER D6 |
| 260505 | STAINL.STEEL FLAT WASHER D8 |
| 260512 | ST/ST GROWER WASHER D6 |
| 260513 | GROWER WASHER D8 |
| 320668 | PLATE |
| 322196 | BRACKET |
| 322277 | SUPPORT FOR GUIDE AC |
| 322609 | PAWL BAR GUIDE |
| 324017 | PIASTRA SUPP.MOTORID.ACS D-S |
| 324026 | SUPPORT |
| 331982 | RIGHT COVER |
| 331983 | LEFT COVER |
| 340288 | CHANNEL F.DRIVE BEARING S3Ø-SE |
| 342020 | PIN |
| 410224 | TURNED PINION Z18-1/2"-D.20 |
| 410225 | TURNED PINION Z22-1/2"-D.20 |
| 410227 | TURNED PINION Z16-1/2"-D.20 |
| 410231 | TURNED PINION Z14 1/2"-D.20 |
| 410240 | TURNED PINION Z17-1/2"-D.20 |
| 410243 | TURNED PINION Z26-1/2"-D.20 |
| 410250 | TURNED PINION Z30 1/2" D.20 |
| 410301 | CROWN DISCS 28T PITCH 1/2" |
| 410310 | CROWN Z 26 1/2" |
| 410311 | CROWN DISCS 30T 1/2" |
| 410312 | CROWN DISCS 22T |
| 410347 | CROWN DISCS 19T 1/2PITCH |
| 410407 | TORQUE LIMITER LC 1 |
| 410801 | DRIVE CHAIN 1/2" N-S |
| 410902 | FALSE CHAIN LINK 1/2" |
| 410903 | CHAIN JOINT 1/2" |
| 441122 | DRIVE SHAFT KEY 6X6X25 UNI 660 |
| 451002 | COTTER PIN STAINL.ST. D2X12 |
| 510425 | PAWL LOAD. AC/ACR |
| 620144 | DRIVE ASSEMBLY |
| 620761 | GUIDE ACS91/101/122 |



01 - 2005 S. AG.

9 - Drive unit

| CODE | DESCRIPTION |
|--------|--------------------------------|
| 200803 | OR GASKET 3,53X98,02X105,08 |
| 260415 | STAINLESS STEEL SELF-LOCKING N |
| 260505 | STAINL.STEEL FLAT WASHER D8 |
| 260546 | SLIDING WASHER STAINLESS STEEL |
| 290813 | PACKING PIECES BRASS S-F2 |
| 290815 | DISTANCE PIECE S3Ø BRASS |
| 290817 | BRASS DISTANCE PIECE 24X14 |
| 340443 | CRANK SHOULDER PIN |
| 340494 | DRIVE SHAFT S 3Ø |
| 410109 | BEARINGS 17X40X12 6203 |
| 410120 | BALL BEARING 17X35X10 |
| 410126 | BEARING 6201-2RS Z15 |
| 440407 | SEAL MIM 20X35X7 |
| 440411 | SEAL 17X40X7 |
| 441122 | DRIVE SHAFT KEY 6X6X25 UNI 660 |
| 451121 | ELAST.ROLL PINS 6X30 |
| 510298 | DRIVE HOUSING S 3Ø |
| 510299 | NICKELPLATED BRASS DRIVE CRANK |
| 620144 | DRIVE ASSEMBLY |
| 631701 | GREASE NIPPLE 9003 |

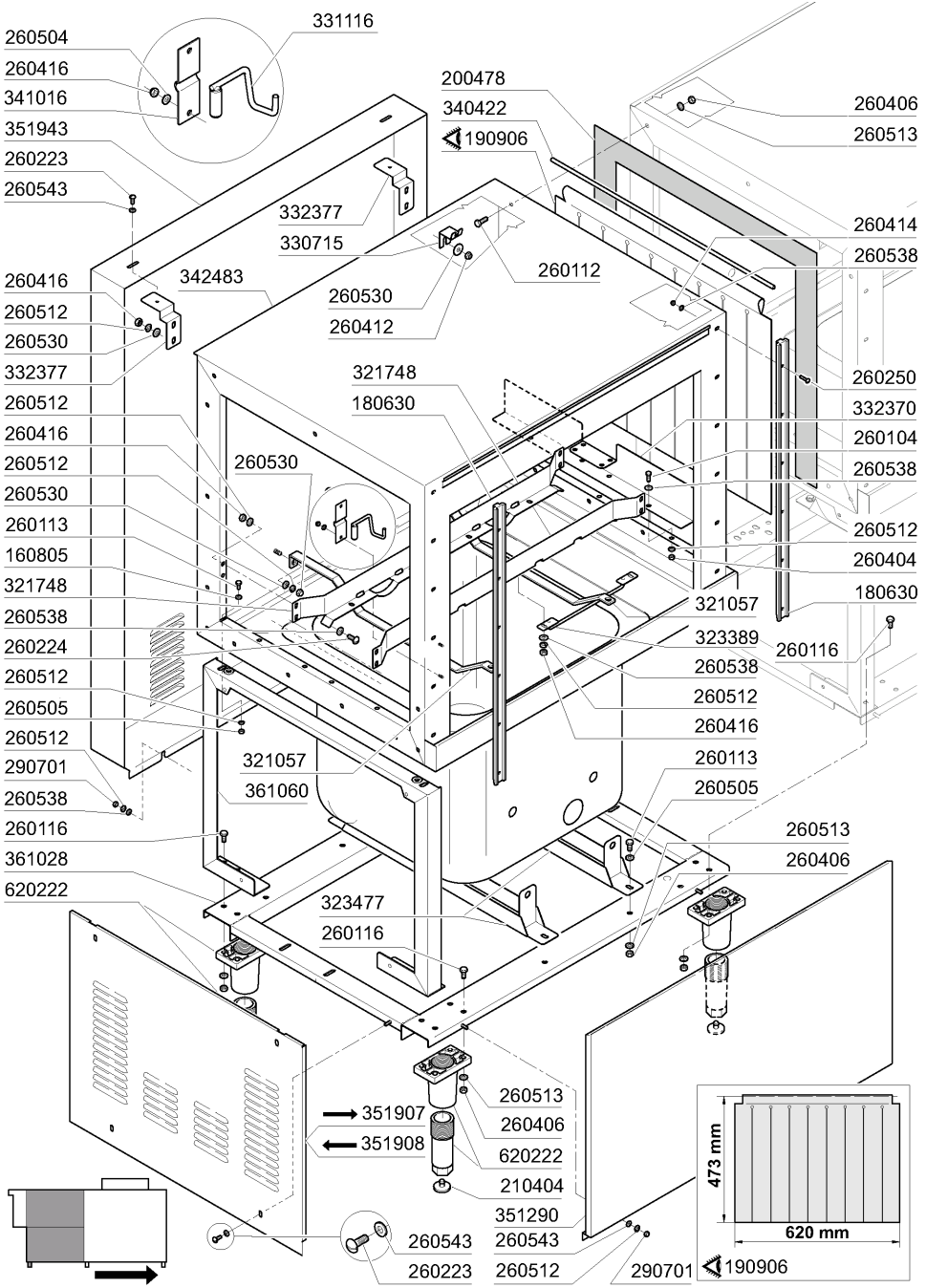


01 - 2005 S. AG.

10 - Economiser

| CODE | DESCRIPTION |
|-------------|--------------------------------|
| 120317 | RINSE MICROSWITCH |
| 191019 | MAGNET HOUSING S90 MOPL.-S.N.L |
| 191051 | SLIDING PAD SE SNL ECONOMIZER |
| 200817 | O-RING 1,78X25,12X28,68-2100 |
| 260126 | SCREW TE 5X12 |
| 260129 | SCREW TE M 5X20 |
| 260133 | SCREW 10X55 |
| 260403 | NUTS D.5 |
| 260407 | STAINLESS STEEL NUTS D10 UNI 5 |
| 260415 | STAINLESS STEEL SELF-LOCKING N |
| 260416 | STAINLESS STEEL NUTS M6 |
| 260503 | STAINL.STEEL FLAT WASHER D5 UN |
| 260504 | ST/ST FLAT WASHER D6 |
| 260511 | GROWER WASHER D.5 |
| 260514 | GROWER WASHER D.10 |
| 331977 | ECONOMISER LEVER AC |
| 331978 | BRACKET ECONOMISER LEVER AC |
| 342067 | PIN FOR ECONOMISER |
| 411001 | PERMANENT MAGNET 8X40 |

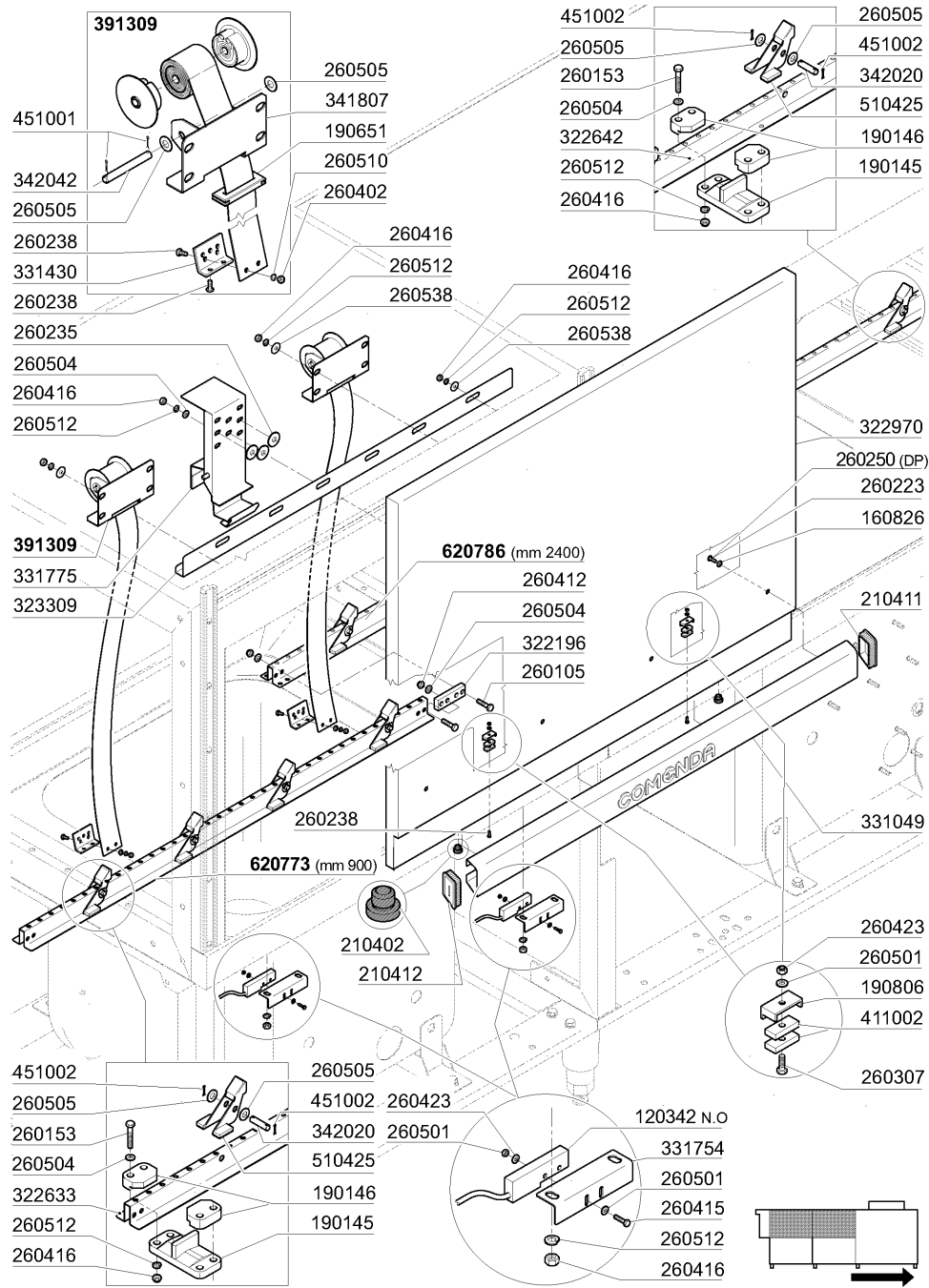
11 - Prewash Hood 900mm



07 - 2007 S. AG.

11 - Prewash Hood 900mm

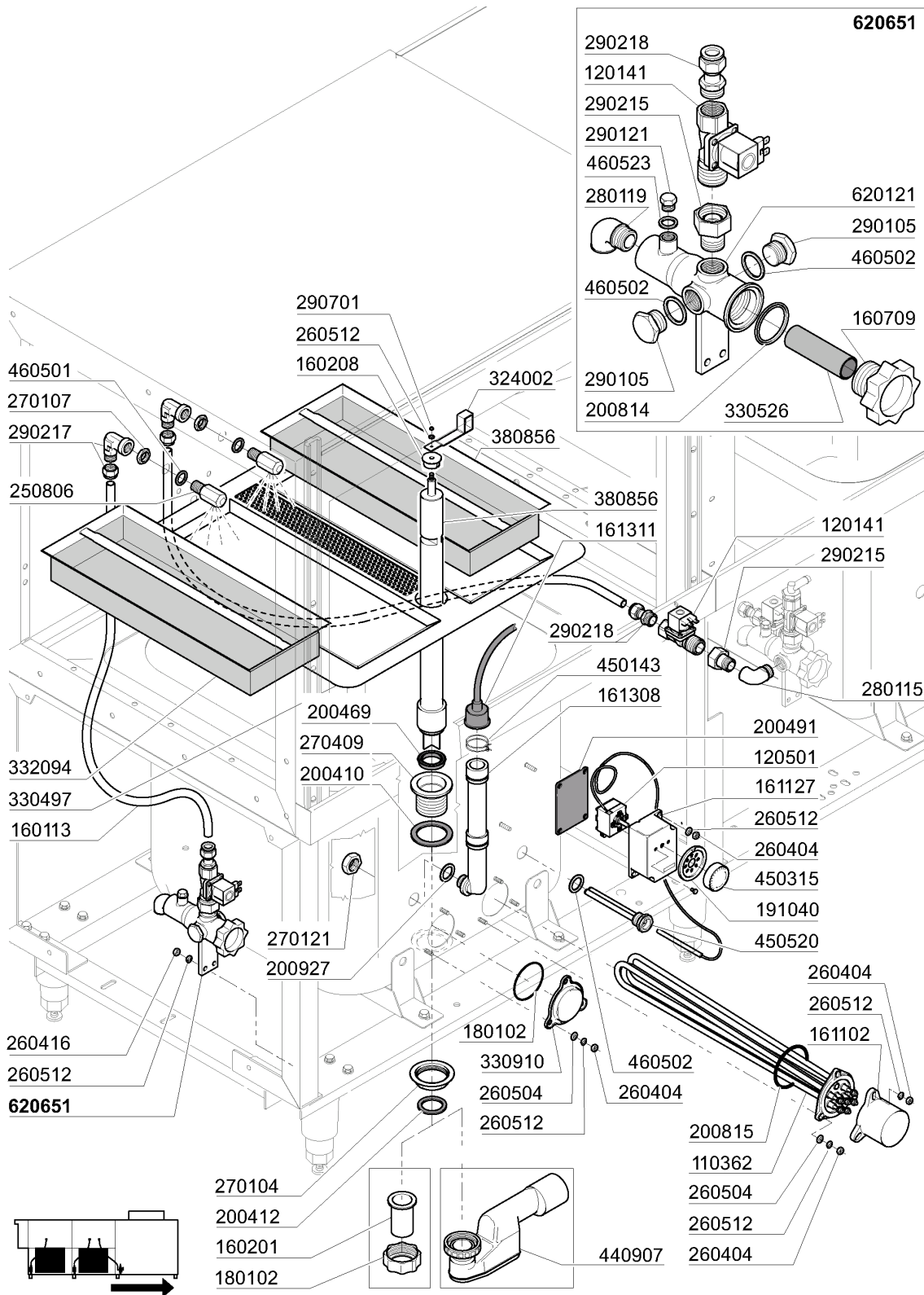
| CODE | DESCRIPTION |
|--------|--------------------------------|
| 160805 | GASKET D.8 |
| 180630 | DOUBLE SKINNED DOOR RUNNER -AC |
| 190906 | CURTAIN IN/OUT 620X480 |
| 200478 | SELF-ADHESIVE GASKET 65X4 |
| 210404 | BLACK RUBBER FOOT S90 NE SE |
| 260104 | STAINL.ST TE-SCREW A2 6X16 UNI |
| 260112 | STAINLESS STEEL TE-SCREW 8X16 |
| 260113 | STAINL.ST.TE SCREW 8X20 A2 UNI |
| 260116 | SCREW TE 8X35 |
| 260223 | M5X12 MSH/HD SCREW SPECIAL S/S |
| 260224 | TB-SCREW 6X15 B23-10-11-12 |
| 260250 | SCREW TB 5X20 |
| 260404 | STAINLESS STEEL NUTS D6 UNI 55 |
| 260406 | NUT 8MA |
| 260412 | SELF-LOCKING NUT M6 |
| 260414 | SELF-LOCKING NUT M5 |
| 260416 | STAINLESS STEEL NUTS M6 |
| 260504 | ST/ST FLAT WASHER D6 |
| 260505 | STAINL.STEEL FLAT WASHER D8 |
| 260512 | ST/ST GROWER WASHER D6 |
| 260513 | GROWER WASHER D8 |
| 260530 | STAINL.ST WASHER 7X22X2 |
| 260538 | WASHER 18X6X1,5 ST/ST |
| 260543 | WASHER D.6 ST/ST |
| 290701 | HEXAGON BLIND NUTS GM H12 |
| 321057 | LOWER WASH ARM SUPPORT |
| 321748 | GUIDE |
| 323389 | BRACKET |
| 323477 | TRAVERSA SOST.VASCHE AC/ACR |
| 330715 | UPPER BRACKET CURTAIN SNL-SE |
| 331116 | DOOR SECURITY HOOK |
| 332370 | PARASPRUZZI E SUPP.AC/ACR 2001 |
| 332377 | SQUADR.AGG.PANN.POST.AC/R/2001 |
| 340422 | SHAFT FOR CURTAIN AC-ACR |
| 341016 | BRAKET FOR DOOR SECURITY HOOK |
| 342483 | CAPOT 900 AC/ACR ANNO 2001 |
| 351290 | FRONT PANEL ACR |
| 351907 | PANN.LAT.LE SX AC COIBENTATE |
| 351908 | PANN.LAT.LE DX AC COIBENTATE |
| 351943 | BACK PANEL 900 |
| 361028 | TELAIO LAVAGGIO SE/1 A SEDIA |
| 361060 | TELAIO SOST.CAPOT AC/ACR 2001 |
| 620222 | COMPLETE ALUMINIUM LEGS |



01 - 2005 S. AG.

| CODE | DESCRIPTION |
|--------|--------------------------------|
| 120342 | DOR MAGNETIC SWITCH |
| 160826 | GASKET 14X6,2X2 B41-F2 |
| 190145 | SUPPORT F.PAWL BAR GUIDE AC |
| 190146 | CLAMPING PIECES AC |
| 190651 | BUSH |
| 190806 | MAGNET HOUSING |
| 210402 | PAD FOR DOOR 15-149 |
| 210411 | RIGHT PLUG FOR ACR/AC HANDLE |
| 210412 | LEFT PLUG FOR ACR/AC HANDLE |
| 260105 | SCREW TE 6X20 |
| 260153 | SCREW TE 6X35 |
| 260223 | M5X12 MSH/HD SCREW SPECIAL S/S |
| 260235 | SCREW |
| 260238 | M4 X 10 MUSH/HD SCREW |
| 260250 | SCREW TB 5X20 |
| 260307 | SCREW TSP 3X20 |
| 260402 | STAINLESS STEEL NUT D4 UNI 55 |
| 260412 | SELF-LOCKING NUT M6 |
| 260415 | STAINLESS STEEL SELF-LOCKING N |
| 260416 | STAINLESS STEEL NUTS M6 |
| 260423 | SELF-LOCKING NUT M3 |
| 260501 | STAINL.STEEL FLAT WASHER D3 UN |
| 260504 | ST/ST FLAT WASHER D6 |
| 260505 | STAINL.STEEL FLAT WASHER D8 |
| 260510 | GROWER WASHER D.4 |
| 260512 | ST/ST GROWER WASHER D6 |
| 260538 | WASHER 18X6X1,5 ST/ST |
| 322196 | BRACKET |
| 322633 | AGGIUNTA GUIDA TRAINO"900"ACR |
| 322642 | GUIDA SALT.2400 AC 201-202 |
| 322970 | DOOR 900MM ACR NEW |
| 323309 | PARASPRUZZI PER CAPOT 900 |
| 331049 | 900MM DOOR HANDLE ACR |
| 331430 | BRACKET FOR DOOR SPRING |
| 331754 | DOOR MICRO SWITCH BRACKET FOR |
| 331775 | BRACKET 3 THERMOSTATS |
| 341807 | SUPPORTO INOX X MOLLA A NASTRO |
| 342020 | PIN |
| 342042 | ALB.GRUPPO MOLLA DI BILANCIAM. |
| 391309 | DOOR SPRING 4KG - 40MM |
| 411002 | PERMANENT MAGNET 24X12 |
| 451001 | S/STEEL COTTER PIN D.2X24 |
| 451002 | COTTER PIN STAINL.ST. D2X12 |
| 510425 | PAWL LOAD. AC/ACR |
| 620773 | GUIDE 960 |
| 620786 | GUIDE 2400 |

13 - Prewash tank components 900mm

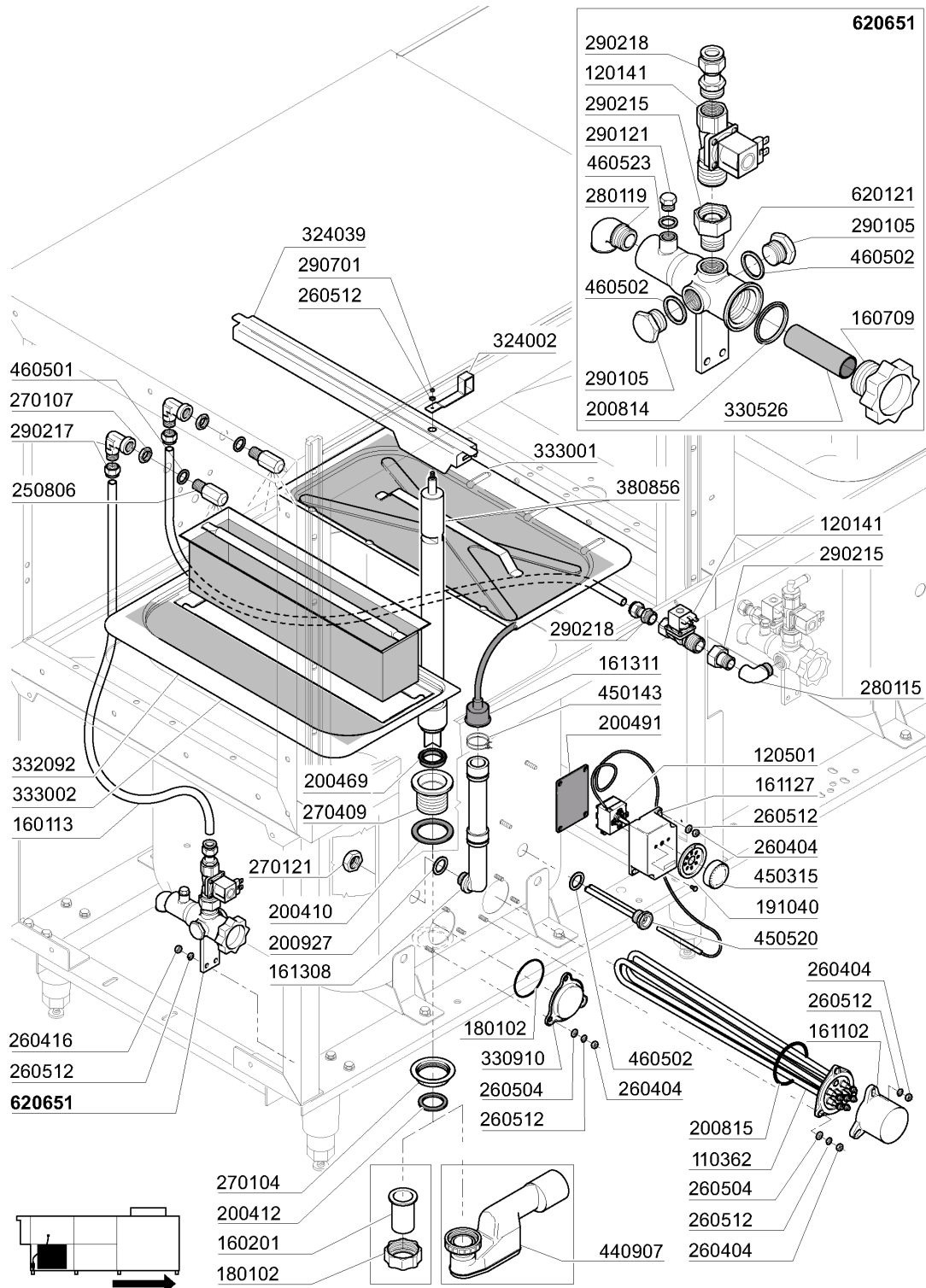


01 - 2005 S.AG.

13 - Prewash tank components 900mm

| CODE | DESCRIPTION |
|--------|--------------------------------|
| 110362 | HEAT.ELEMENT 9000W 220/380V |
| 120141 | SOLEN.VALVE METAL.328000 D.1/2 |
| 120501 | THERMOSTAT 30/90°C |
| 160113 | TUBE IN POL. RETIC. 12 EST |
| 160201 | ELBOW F.TANK INLET MOPLN |
| 160208 | ELBOW FOR PREW.OVERFLOW PIPE |
| 160709 | KNOB OF MANIFOLD F. SOLEN. VAL |
| 161102 | ELEMENT COVER MOPL. |
| 161127 | BOX FOR THERMOSTAT |
| 161308 | AIR CHAMBER C95-155 |
| 161311 | HOSE FOR AIR CHAMBER BC-BR-AC9 |
| 180102 | DRAIN PIPE NUT 1 1/2 F45-55 |
| 191040 | FRAME F.THERMOSTAT KNOB |
| 200410 | DRAIN OUTL.WASH.1 1/2"65X47X2 |
| 200412 | GASKET DRAIN 1 1/2" 45X33X3 |
| 200469 | STAND PIPE O RING 45X35,5X7 |
| 200491 | BACK GASKET OF THERMOSTAT BOX |
| 200814 | O-RING 34,52X41,58X3,53 |
| 200815 | O-RING F. HEAT.ELEM. |
| 200927 | GASKET FOR AIR TRAP |
| 250806 | TANK FILL HOSE CLAMP - AC/ACR |
| 260404 | STAINLESS STEEL NUTS D6 UNI 55 |
| 260416 | STAINLESS STEEL NUTS M6 |
| 260504 | ST/ST FLAT WASHER D6 |
| 260512 | ST/ST GROWER WASHER D6 |
| 270104 | LOCK NUT 1" 1/2 |
| 270107 | BRASS LOCK NUT 3/8" FL803 |
| 270121 | NUT FOR AIR TRAP |
| 270409 | DRAIN OUTLET AC-ACR |
| 280115 | ELL 1/2" |
| 280119 | ELL MF 3/4" |
| 290105 | BRASS-TE-PLUG 1/2" |
| 290121 | BRASS PLUG 1/8" |
| 290215 | 1/2"BSP M/F UNION BRASS |
| 290217 | HOSE CLAMP ELBOW 12X3/8" TYPE |
| 290218 | NIPPLE 12X1/2" |
| 290701 | HEXAGON BLIND NUTS GM H12 |
| 324002 | OVERFLOW PIPE LEVER ACS |
| 330497 | FILTER SUPPORT |
| 330526 | FILTERS 22X28 SOLENOID V.MANIF |
| 330910 | FLANGE |
| 332094 | STRAINER FOR 900 PREWASH TANK |
| 380856 | OVERFLOW PIPE FOR PREWASH TANK |
| 440907 | SIPHON 1"1/2 |
| 450143 | CLAMP D.39,7 X 37,7 |
| 450315 | KNOB F. THERMOSTAT 90° |
| 450520 | THERMOSTAT SHIELD FOR 3 THERMO |
| 460501 | GASKET 24X17X2 |
| 460502 | GASKET 30X21X2 |
| 460523 | GASKET 10X18X2 |
| 620121 | TWIN SOLENOID VALVE MANIFOLD |
| 620651 | ASS.FILTRO 1 ELETTR.CAR.VAS AC |

14 - Prewash tank components 900mm



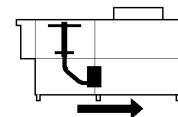
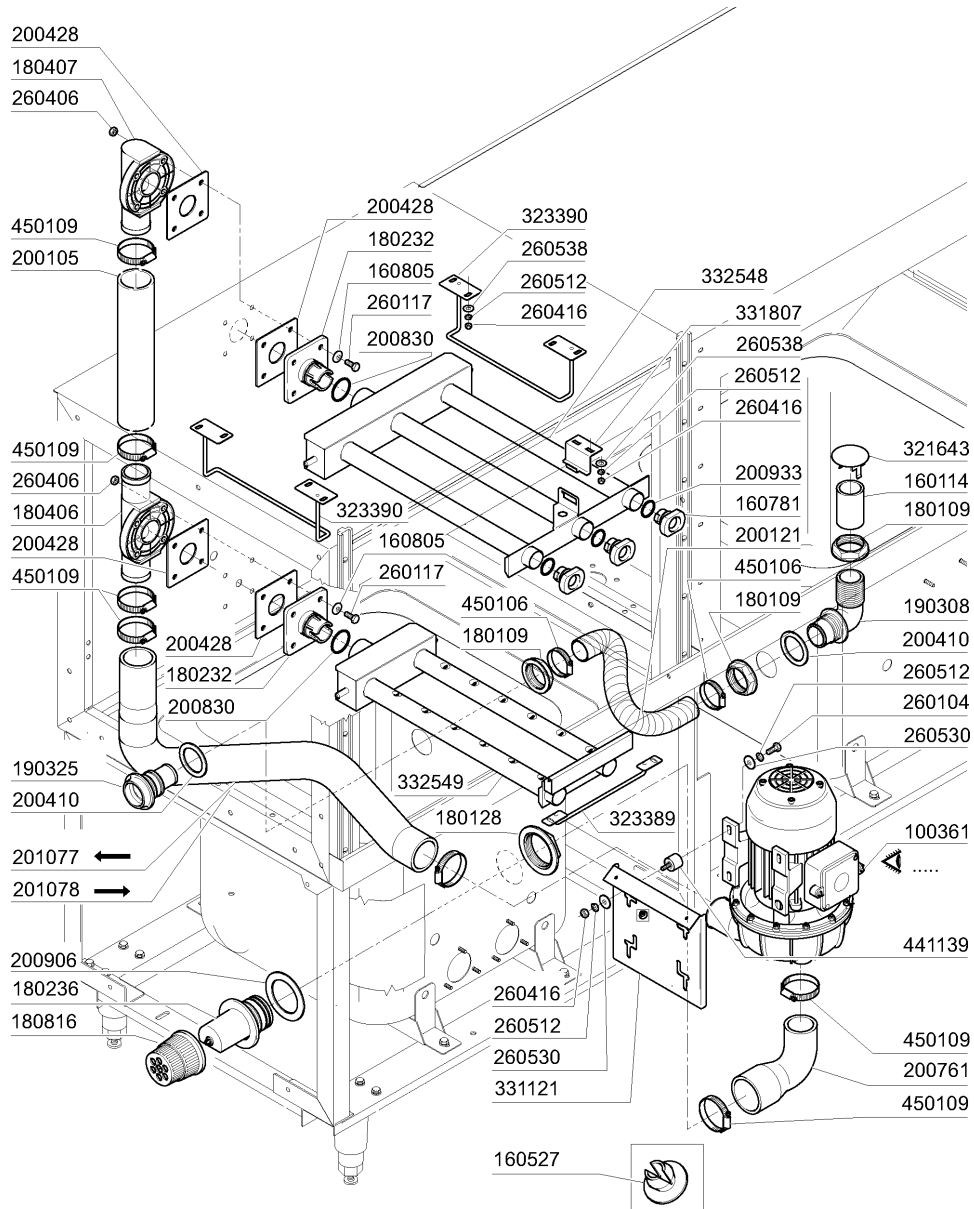
ed. 2005

01 - 2005 S. AG.

14 - Prewash tank components 900mm

| CODE | DESCRIPTION |
|--------|--------------------------------|
| 110362 | HEAT.ELEMENT 9000W 220/380V |
| 120141 | SOLEN.VALVE METAL.328000 D.1/2 |
| 120501 | THERMOSTAT 30/90°C |
| 160113 | TUBE IN POL. RETIC. 12 EST |
| 160201 | ELBOW F.TANK INLET MOPLN |
| 160709 | KNOB OF MANIFOLD F. SOLEN. VAL |
| 161102 | ELEMENT COVER MOPL. |
| 161127 | BOX FOR THERMOSTAT |
| 161308 | AIR CHAMBER C95-155 |
| 161311 | HOSE FOR AIR CHAMBER BC-BR-AC9 |
| 180102 | DRAIN PIPE NUT 1"1/2 F45-55 |
| 191040 | FRAME F.THERMOSTAT KNOB |
| 200410 | DRAIN OUTL.WASH.1 1/2"65X47X2 |
| 200412 | GASKET DRAIN 11/2" 45X33X3 |
| 200469 | STAND PIPE O RING 45X35,5X7 |
| 200491 | BACK GASKET OF THERMOSTAT BOX |
| 200814 | O-RING 34,52X41,58X3,53 |
| 200815 | O-RING F. HEAT.ELEM. |
| 200927 | GASKET FOR AIR TRAP |
| 250806 | TANK FILL HOSE CLAMP - AC/ACR |
| 260404 | STAINLESS STEEL NUTS D6 UNI 55 |
| 260416 | STAINLESS STEEL NUTS M6 |
| 260504 | ST/ST FLAT WASHER D6 |
| 260512 | ST/ST GROWER WASHER D6 |
| 270104 | LOCK NUT 1" 1/2 |
| 270107 | BRASS LOCK NUT 3/8" FL803 |
| 270121 | NUT FOR AIR TRAP |
| 270409 | DRAIN OUTLET AC-ACR |
| 280115 | ELL 1/2" |
| 280119 | ELL MF 3/4" |
| 290105 | BRASS-TE-PLUG 1/2" |
| 290121 | BRASS PLUG 1/8" |
| 290215 | 1/2"BSP M/F UNION BRASS |
| 290217 | HOSE CLAMP ELBOW 12X3/8" TYPE |
| 290218 | NIPPLE 12X1/2" |
| 290701 | HEXAGON BLIND NUTS GM H12 |
| 324002 | OVERFLOW PIPE LEVER ACS |
| 324039 | FILTER GUIDE 900/1300 ACS |
| 330526 | FILTERS 22X28 SOLENOID V.MANIF |
| 330910 | FLANGE |
| 332092 | STRAINER FOR PREWASH TANK ACS |
| 333001 | STRAINER 900 ACS |
| 333002 | STRAINER 900 ACS |
| 380856 | OVERFLOW PIPE FOR PREWASH TANK |
| 440907 | SIPHON 1"1/2 |
| 450143 | CLAMP D.39,7 X 37,7 |
| 450315 | KNOB F. THERMOSTAT 90° |
| 450520 | THERMOSTAT SHIELD FOR 3 THERMO |
| 460501 | GASKET 24X17X2 |
| 460502 | GASKET 30X21X2 |
| 460523 | GASKET 10X18X2 |
| 620121 | TWIN SOLENOID VALVE MANIFOLD |
| 620651 | ASS.FILTRO 1 ELETTR.CAR.VAS AC |

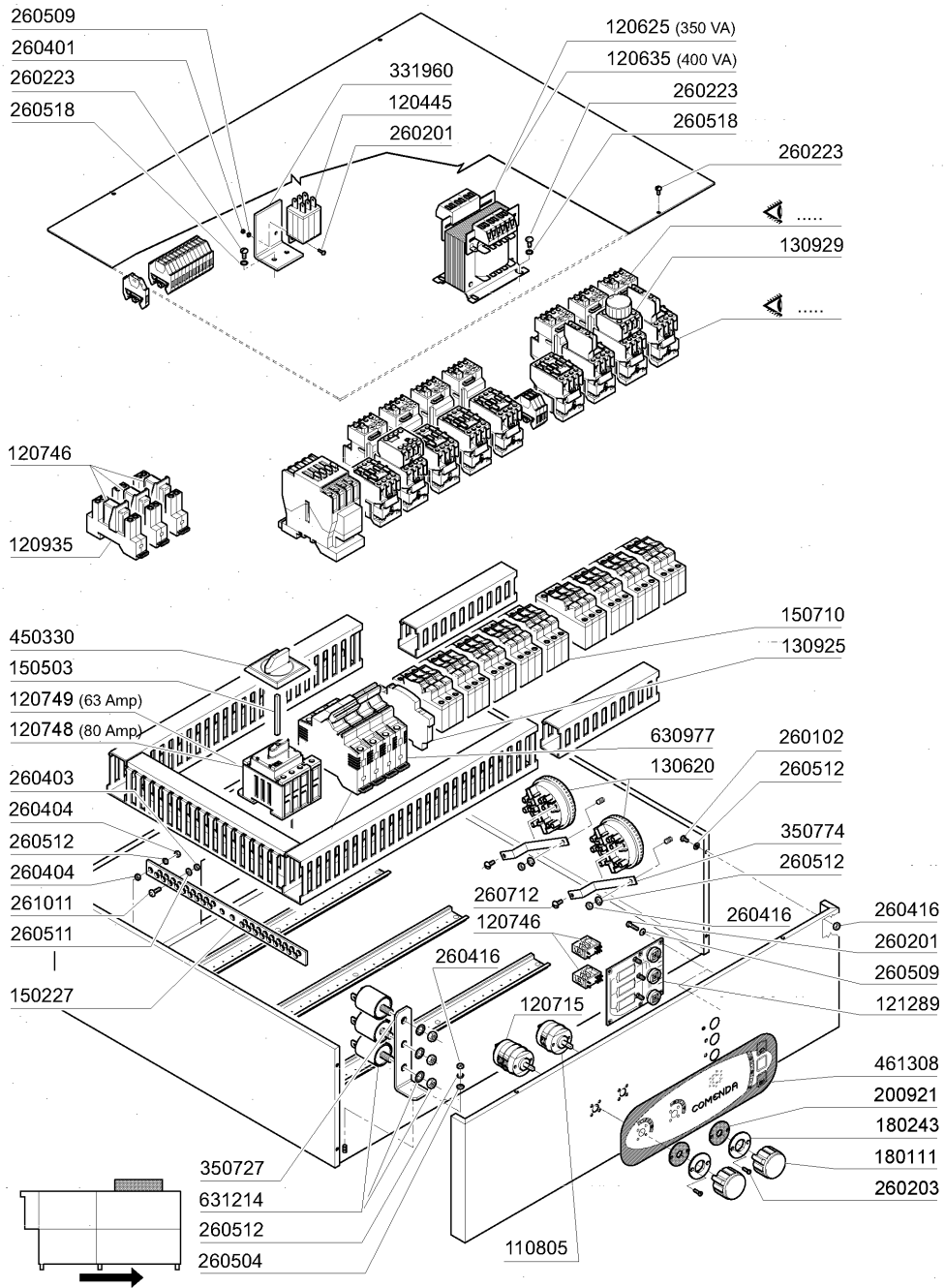
15 - Prewash Assembly 900mm



08 - 2006 S. AG.

15 - Prewash Assembly 900mm

| CODE | DESCRIPTION |
|--------|--------------------------------|
| 100361 | PUMP HP 2-220/380-50HZ-120404 |
| 160114 | ADJUST.OVERFLOW-PIPE/TANKS S3Ø |
| 160527 | PLUG 14,5X2X8 |
| 160781 | PLUG FOR COLLECTOR NEW AC |
| 160805 | GASKET D.8 |
| 180109 | LOCK NUT 1 1/2" |
| 180128 | RING NUT 65,4 C140 C85 |
| 180232 | WASH ARM FLANGE SNL |
| 180236 | PUMP SUCTION FOR AC-ACR-C155 |
| 180406 | T-CONNECTOR F. WASHING S90-SNL |
| 180407 | ELBOW S90 S N L |
| 180816 | STRAINER OF INLET PUMP AC-ACR |
| 190308 | OVERFLOW CONNECTOR |
| 190325 | OVERFLOW CONNECTOR |
| 200105 | RUBBER HOSE 50X60 |
| 200121 | RUBBER HOSE 45X55 |
| 200410 | DRAIN OUTL.WASH.1 1/2"65X47X2 |
| 200428 | GASKET 100X100X3 NEOTEN |
| 200761 | INLET HOSE - PREWASH AC - |
| 200830 | O-RING 37,3X44,5X3,6 |
| 200906 | GASKET D.92X66X2 |
| 200933 | OR 24/32/4 FOR PLUG COLLECTOR |
| 201077 | DELIVERY HOSE |
| 201078 | OUTLET HOSE |
| 260104 | STAINL.ST TE-SCREW A2 6X16 UNI |
| 260117 | SCREW 8X40 |
| 260406 | NUT 8MA |
| 260416 | STAINLESS STEEL NUTS M6 |
| 260512 | ST/ST GROWER WASHER D6 |
| 260530 | STAINL.ST WASHER 7X22X2 |
| 260538 | WASHER 18X6X1,5 ST/ST |
| 321643 | SUPPORT |
| 323389 | BRACKET |
| 323390 | GUIDE |
| 331121 | FIXING PLATE FOR PUMP ACR |
| 331807 | BRACKET |
| 332548 | UPPER WASH SYSTEM |
| 332549 | COLLETT.INF.PREL.900 ACS LAM. |
| 441139 | VIBRATION-DAMPING FEET 25X20X6 |
| 450106 | CLAMP FE ZN 32-44 H=12,2 |
| 450109 | CLAMP 50-65 |

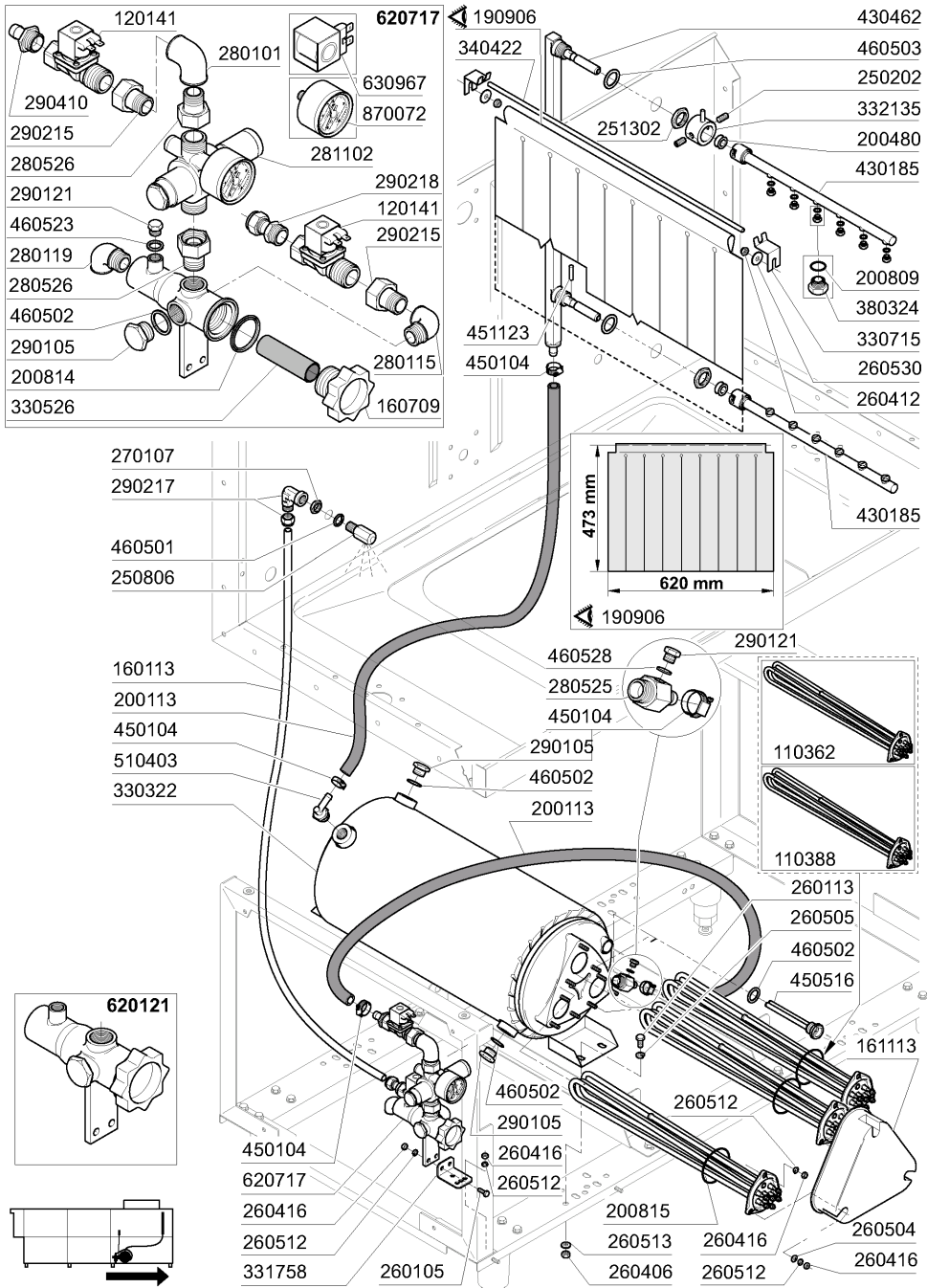


01 - 2005 S. AG.

16 - Control Box ACS201..242

| CODE | DESCRIPTION |
|--------|--------------------------------|
| 110805 | SWITCH THREEPOLE |
| 120445 | AUXILIARY RELAY S.B2/3 24V |
| 120625 | TRANSFOR.350VA 225*415/12V-24V |
| 120635 | TRANSFORMER 400VA220-240-380-4 |
| 120715 | MAIN SWITCH 16A 4 POLES |
| 120746 | SELECTOR WITH LIGHT RM650R |
| 120748 | MAINSWITCH 80A 4P |
| 120749 | MAINSWITCH 63A 4P |
| 120935 | SUPPORT |
| 121289 | ELECTRONIC CONTROL PANEL ACS |
| 130620 | PRESSURE SWITCH 3 LEVEL 50-30/ |
| 130925 | CONTACT FOR CIRCUIT BREAKER |
| 130929 | CONTACT ABB 1NO/1NC 30" |
| 150227 | BRACKET |
| 150503 | EXTENTION FOR MAIN SWITCH |
| 150710 | FUSE CARRIER 10,3X38 ART.21401 |
| 180111 | BLACK KNOB |
| 180243 | FLANGE |
| 200921 | GASKET |
| 260102 | SCREW TE 6X10 |
| 260201 | SCREW TCP 3X10 |
| 260203 | SCREW 3,5X10 |
| 260223 | M5X12 MSH/HD SCREW SPECIAL S/S |
| 260401 | NUT 3MA |
| 260403 | NUTS D.5 |
| 260404 | STAINLESS STEEL NUTS D6 UNI 55 |
| 260416 | STAINLESS STEEL NUTS M6 |
| 260504 | ST/ST FLAT WASHER D6 |
| 260509 | GROWER WASHER D.3 |
| 260511 | GROWER WASHER D.5 |
| 260512 | ST/ST GROWER WASHER D6 |
| 260518 | FLAT WASHER |
| 260712 | SCREW 2,9X9,5 |
| 261011 | SCREW M5 |
| 331960 | BRACKET |
| 350727 | BRACKET |
| 350774 | BRACKET |
| 450330 | KNOB FOR MAIN SWITCH |
| 461308 | PLATE ACS122-182 |
| 630977 | COIL FOR CIRCUIT BREAKER 24V |
| 631214 | ANTI-NOISE FILTER 4011135007 3 |

17 - Rinse Assembly / Boiler with 3 heating elements

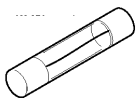
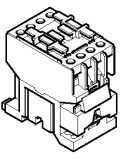
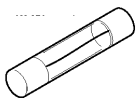
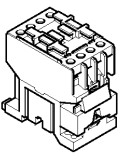
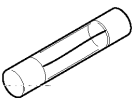
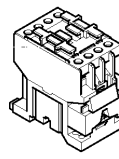
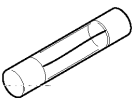
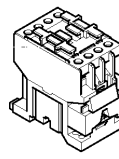


07 - 2007 S. A.G.

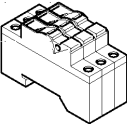
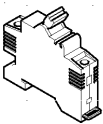
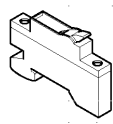
17 - Rinse Assembly / Boiler with 3 heating elements

| CODE | DESCRIPTION |
|--------|---------------------------------|
| 110362 | HEAT.ELEMENT 9000W 220/380V |
| 110388 | HEAT.ELEMENT 10000W 230/400V |
| 120141 | SOLE.N.VALVE METAL.328000 D.1/2 |
| 160113 | TUBE IN POL. RETIC. 12 EST |
| 160709 | KNOB OF MANIFOLD F. SOLEN. VAL |
| 161113 | ELMENT COVER BLACK |
| 190906 | CURTAIN IN/OUT 620X480 |
| 200113 | RUBBER HOSE 12 X 22 |
| 200480 | GASKET F. RINSE CONNECT. |
| 200809 | OR GASKET 1,78X8,73X12,29 |
| 200814 | O-RING 34,52X41,58X3,53 |
| 200815 | O-RING F. HEAT.ELEM. |
| 250202 | STAINL.ST GRUB 5X8 UNI 5927 |
| 250806 | TANK FILL HOSE CLAMP - AC/ACR |
| 251302 | S/S LOCK NUT 3/4" AC-ACR |
| 260105 | SCREW TE 6X20 |
| 260113 | STAINL.ST.TE SCREW 8X20 A2 UNI |
| 260406 | NUT 8MA |
| 260412 | SELF-LOCKING NUT M6 |
| 260416 | STAINLESS STEEL NUTS M6 |
| 260504 | ST/ST FLAT WASHER D6 |
| 260505 | STAINL.STEEL FLAT WASHER D8 |
| 260512 | ST/ST GROWER WASHER D6 |
| 260513 | GROWER WASHER D8 |
| 260530 | STAINL.ST WASHER 7X22X2 |
| 270107 | BRASS LOCK NUT 3/8" FL803 |
| 280101 | CRANK F.F 1/2" |
| 280115 | ELL 1/2" |
| 280119 | ELL MF 3/4" |
| 280525 | NIPPLE |
| 280526 | CONNECTION 1/2-3/4" |
| 281102 | 1/2" ADJ VALVE C/W GAUGE TYPE |
| 290105 | BRASS-TE-PLUG 1/2" |
| 290121 | BRASS PLUG 1/8" |
| 290215 | 1/2"BSP M/F UNION BRASS |
| 290217 | HOSE CLAMP ELBOW 12X3/8" TYPE |
| 290218 | NIPPLE 12X1/2" |
| 290410 | NIPPLE 1/2" |
| 330322 | INSULATED BOILER D.230 N/S |
| 330526 | FILTERS 22X28 SOLENOID V.MANIF |
| 330715 | UPPER BRACKET CURTAIN SNL-SE |
| 331758 | BRACKET F.SOLEN.VALV SE |
| 332135 | RINSE ARM BUSH |
| 340422 | SHAFT FOR CURTAIN AC-ACR |
| 380324 | RINSE JETS 52,5 80Ø OV1/8" |
| 430185 | RINSE ARM |
| 430462 | COL.RISC.AC (430472) |
| 450104 | CLAMP FE ZN H=12,5 15-24 |
| 450516 | THERMOSTAT SHIELD FOR 2 TERMOS |
| 451123 | ELASTIC PIN 4X16 |
| 460501 | GASKET 24X17X2 |
| 460502 | GASKET 30X21X2 |
| 460503 | SEALING WASHER 38X27X2(3/4) |
| 460523 | GASKET 10X18X2 |
| 460528 | GASKET 15X10X2 FOR RINSE NIPPE |
| 510403 | CONNECT.HOSE 90Ø1/2"X12 |
| 620121 | TWIN SOLENOID VALVE MANIFOLD |
| 620717 | FILTER FOR SOLENOID ACS151-202 |
| 630967 | COIL V24/50HZ E/V 328002 |
| 870072 | PRESSURE CAUGE 0-4 ATM |

18 - Electrical parts for heatings elements

| | 220/240 V | | | | 380/415 V | | | |
|------|---|---|---|---|--|---|--|---|
| |  |  |  |  |  |  |  |  |
| KW | A | Fusibili Fusible Fuse Schmelzsicherung Fusible | A | Teleruttore Contacteur Contactor Schalterschütz Contactor | A | Fusibili Fusible Fuse Schmelzsicherung Fusible | A | Teleruttore Contacteur Contactor Schalterschütz Contactor |
| 9 | 32 | 130237 | 26 | 120471 | 20 | 130248 | 12 | 120469 |
| 12,5 | 40 | 130238 | 30 | 120472 | 25 | 130236 | 26 | 120471 |
| 14 | 40 | 130238 | 30 | 120472 | 32 | 130237 | 26 | 120471 |
| 16 | 50 | 130257 | 40 | 120473 | 32 | 130237 | 30 | 120472 |
| 18 | 63 | 130239 | 40 | 120473 | 40 | 130237 | 30 | 120472 |
| 20 | 63 | 130239 | 50 | 120474 | 40 | 130237 | 30 | 120472 |

| | Asciugatura - Sechage - Dryer - Trocknung - Secado | | | | | | | |
|-----|--|--|----|---|-----------|--|---|---|
| | 220/240 V | | | | 380/415 V | | | |
| KW | A | Fusibili Fusible Fuse Schmelzsicherung Fusible | A | Teleruttore Contacteur Contactor Schalterschütz Contactor | A | Fusibili Fusible Fuse Schmelzsicherung Fusible | A | Teleruttore Contacteur Contactor Schalterschütz Contactor |
| 4,5 | 12 | 130236 | 9 | 120468 | 10 | 130269 | 9 | 120468 |
| 6 | 20 | 130248 | 12 | 120469 | 12 | 130248 | 9 | 120468 |

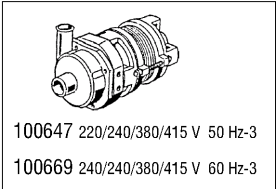
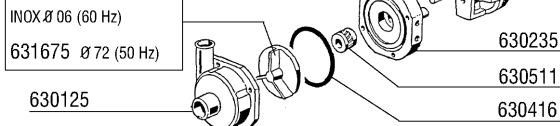
| A |  |  |  |
|----|---|--|--|
| | Magnetotermico resistenza Magneto-termique résistance Thermo-magnetic switch for heater Thermo-magnetischer schalter F. Heizkörper Magneto-termico resistencia | Bobina di sgancio V.24 per Boiler Bobine décrochage V.24 pour Surchauffeur Disconnecting coil V.24 for boiler Auslösespüle V. 24 für boiler Bobina desembrague V. 24 por boiler | Contatto per bobina di sgancio Contact pour bobine décrochage Contact for disconnecting coil Kontakt für auslösespüle Contacto por bobina desembrague |
| 20 | 121020 | 630977 | 130925 |
| 25 | 121021 | 630977 | 130925 |
| 32 | 121022 | 630977 | 130925 |
| 40 | 121023 | 630977 | 130925 |
| 50 | 121024 | 630977 | 130925 |
| 63 | 121025 | 630977 | 130925 |
| 80 | 121026 | 630978 | 130940 |

01 - 2005 S. AG.

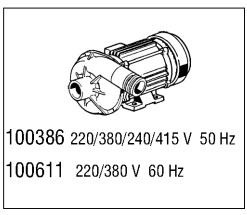
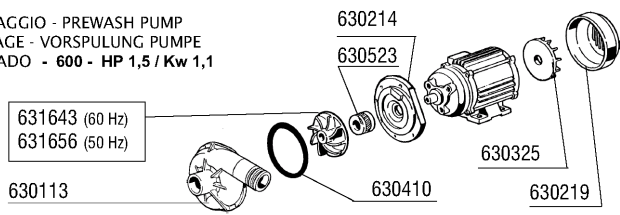
18 - Electrical parts for heatings elements

| CODE | DESCRIPTION |
|--------|-------------------------------|
| 120468 | CONTACTOR ABB 9A 24V 50/60HZ |
| 120469 | CONTACTOR ABB 12A 24V 50/60HZ |
| 120471 | CONTACTOR ABB 26A 24V 50/60HZ |
| 120472 | CONTACTOR ABB 24V 50/60HZ |
| 120473 | CONTACTOR ABB 24V 50/60HZ |
| 120474 | CONTACTOR ABB 50A 24V 50/60HZ |
| 121020 | CIRCUIT BREAKER 20A |
| 121021 | CIRCUIT BREAKER 25A |
| 121022 | CIRCUIT BREAKER 32A |
| 121023 | CIRCUIT BREAKER 40A |
| 121024 | CIRCUIT BREAKER 50A |
| 121025 | CIRCUIT BREAKER 63A |
| 121026 | MAGN.SWITCH 80A |
| 130236 | FUSE 14X51 25A GF14325 |
| 130237 | FUSE 14X51 32A GL14332 |
| 130238 | FUSE 14X51 40A GF 14340 |
| 130239 | FUSE 22X58 63A GF15363 |
| 130248 | FUSE 20A-10,3X38 13320 G.F. |
| 130257 | FUSE 50A 14X51 GF14350 |
| 130269 | FUSE GG 10,3X38 10A |
| 130925 | CONTACT FOR CIRCUIT BREAKER |
| 130940 | AUXILIARY CONTACT ABB |
| 630977 | COIL FOR CIRCUIT BREAKER 24V |
| 630978 | COIL FOR CIRCUIT BREAKER 80A |

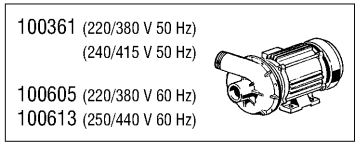
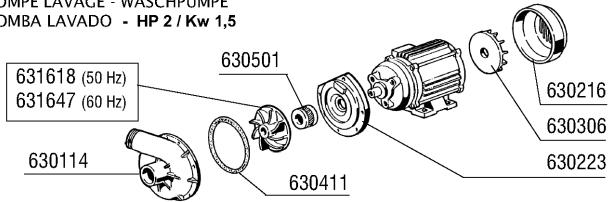
POMPA PRELAVAGGIO - PREWASH PUMP
 POMPE PRELAVAGE - VORSPÜLUNG PUMPE
 BOMBA PRELAVADO - 400 - HP 0,2 / Kw 0,15



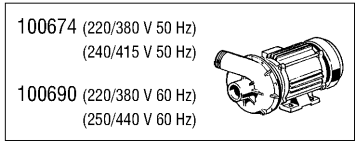
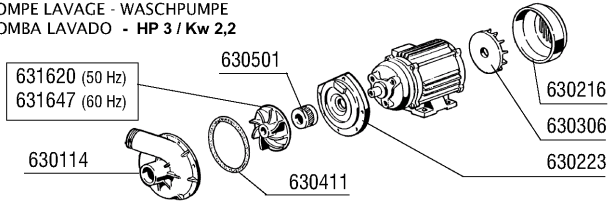
POMPA PRELAVAGGIO - PREWASH PUMP
 POMPE PRELAVAGE - VORSPÜLUNG PUMPE
 BOMBA PRELAVADO - 600 - HP 1,5 / Kw 1,1



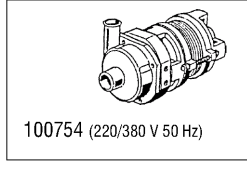
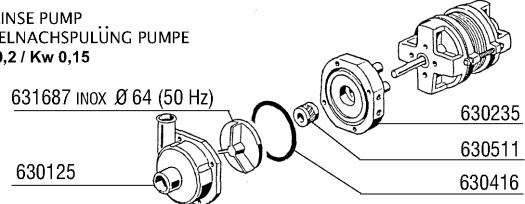
POMPA LAVAGGIO - WASH PUMP
 POMPE LAVAGE - WASCHPUMPE
 BOMBA LAVADO - HP 2 / Kw 1,5



POMPA LAVAGGIO - WASH PUMP
 POMPE LAVAGE - WASCHPUMPE
 BOMBA LAVADO - HP 3 / Kw 2,2




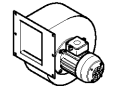
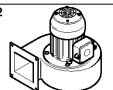
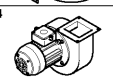
POMPA ECORINSE - ECORINSE PUMP
 POMPE ECORINSE - DOPPELNACHSPÜLUNG PUMPE
 BOMBA ECORINSE - HP 0,2 / Kw 0,15


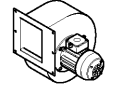
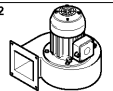
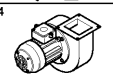


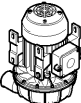
| COMPONENTI ELETTRICI POMPE / COMPOSANTS ELECTRIQUES POMPES / ELECTRICAL PARTS FOR PUMPS / ELEKTRISCHE TEILE FÜR PUMPEN / PIEZOS ELECTRICOS PARA BOMBAS | | | | | | | | | | | | | |
|--|--|-----|---|---|--|-------------|--|---|---|---|--|------------|--------|
| 220 / 240 V | | | | | | 380 / 415 V | | | | | | | |
| POMPA - POMPE PUMP - PUMPE BOMBA | FUSIBILI - FUSIBLE - FUSE SCHMELZSICHERUNG FUSIBLE | | TELERUTTORE - CONTACTEUR CONTACTOR - SCHALTSCHITZ CONTACTOR | | TERMICA - TERMIQUE OVERLOAD RELAY TERM/DAUSL...SER - TERMICO | | FUSIBILI - FUSIBLE - FUSE SCHMELZSICHERUNG FUSIBLE | | TELERUTTORE - CONTACTEUR CONTACTOR - SCHALTSCHITZ CONTACTOR | | TERMICA - TERMIQUE OVERLOAD RELAY TERM/DAUSL...SER - TERMICO | | |
| 0,2 | 0,15 | 4 | 130230 | 9 | 120468 | 1,00 ÷ 1,4 | 120860 | 2 | 130260 | 9 | 120468 | 0,4 ÷ 0,63 | 120858 |
| 1,5 | 1,1 | 8 | 130232 | 9 | 120468 | 4,5 ÷ 6,5 | 120864 | 4 | 130230 | 9 | 120468 | 2,8 ÷ 4 | 120863 |
| 2 | 1,5 | 8 | 130232 | 9 | 120468 | 6 ÷ 8,5 | 120865 | 6 | 130231 | 9 | 120468 | 4,5 ÷ 6,5 | 120864 |
| 3 | 2,2 | 1,2 | 130234 | 9 | 120468 | 7,5 ÷ 11 | 130231 | 6 | 120468 | 9 | 120468 | 4,5 ÷ 6,5 | 120864 |

19 - Pump

| CODE | DESCRIPTION |
|--------|--------------------------------|
| 100361 | PUMP HP 2-220/380-50HZ-120404 |
| 100386 | PUMP HP 1,5 220/380/50 1219 |
| 100605 | PUMP HP 2 380/3/60HZ 1204 |
| 100611 | PUMP HP 1,5 380/3/60HZ F1219 |
| 100613 | PUMP HP 2 440/3/60HZ 1204 |
| 100647 | PUMP HP 0,20 220/240/3 4226 |
| 100669 | PUMP HP 0,12 220/380 60HZ C16 |
| 100674 | PUMP HP 3 V.220-415-50HZ-1205 |
| 100690 | PUMP 2,7HP 220/380 60HZ 1205 |
| 100754 | PUMP HP 0,2-220/380 50HZ 4226 |
| 120468 | CONTACTOR ABB 9A 24V 50/60HZ |
| 120858 | OVERLOAD RELAY ABB 0,4-0,63A |
| 120860 | OVERLOAD RELAY ABB 1-1,4A |
| 120863 | OVERLOAD RELAY ABB 2,8-4A |
| 120864 | OVERLOAD RELAY ABB 4,5-6,5A |
| 120865 | OVERLOAD RELAY ABB 6-8,5A |
| 120866 | OVERLOAD RELAY ABB 7,5-11A |
| 130230 | FUSE 10,3X38 4A AM13004 |
| 130231 | FUSE 10,3X38 6A AM13006 |
| 130232 | FUSE 10,3X38 8A AM13008 |
| 130234 | FUSE 10,3X38 12A AM13012 |
| 130260 | FUSE 10,3X38 2A AM 13001 |
| 630113 | VOLUTE FIR HP0,5-1,55 |
| 630114 | VOLUTE FI HP2-2,7-3-3,2 |
| 630125 | VOLUTE 0,12/0,3(2212-29) |
| 630214 | FLANGE PUMP HP0,75-1-1,5 |
| 630216 | FAN HOUSING FIR HP 2-3 |
| 630219 | FAN HOUSING FIR HP.0,75-1 |
| 630223 | BACK PLATE PUMP HP2-3-3,2 |
| 630235 | PUMP COVER 0,12/0,3 2212-19 |
| 630306 | PUMP FAN IMPELLOR FI HP.2-3 |
| 630325 | COOLING FAN F.PUMP 1219/2241 |
| 630410 | O-RING PUMP FI HP0,5-0,75-1 |
| 630411 | O-RING PUMP FI HP 2-2,7 |
| 630416 | OR FOR VOLUTE 0,12/0,3 |
| 630501 | SEAL FOR PUMP HP 2-3-3,2 |
| 630511 | PUMP SEAL HP 0,10 82 |
| 630523 | SEAL FOR PUMP FIR1219 |
| 631618 | IMPELLER PUMP F HP2-D.116,5 |
| 631620 | IMPELLER HP 3-3,2 1205-43 |
| 631643 | IMPELLER HP1/1,5 60HZD.90-1219 |
| 631647 | IMPELLER D.100-60HZ-1204/5 |
| 631656 | PUMP IMPELLER 1HP - 2255 |
| 631675 | ST/ST PUMP IMPELLER 0,2HP 2226 |
| 631687 | IMPELLER FOR PUMP 100754 |

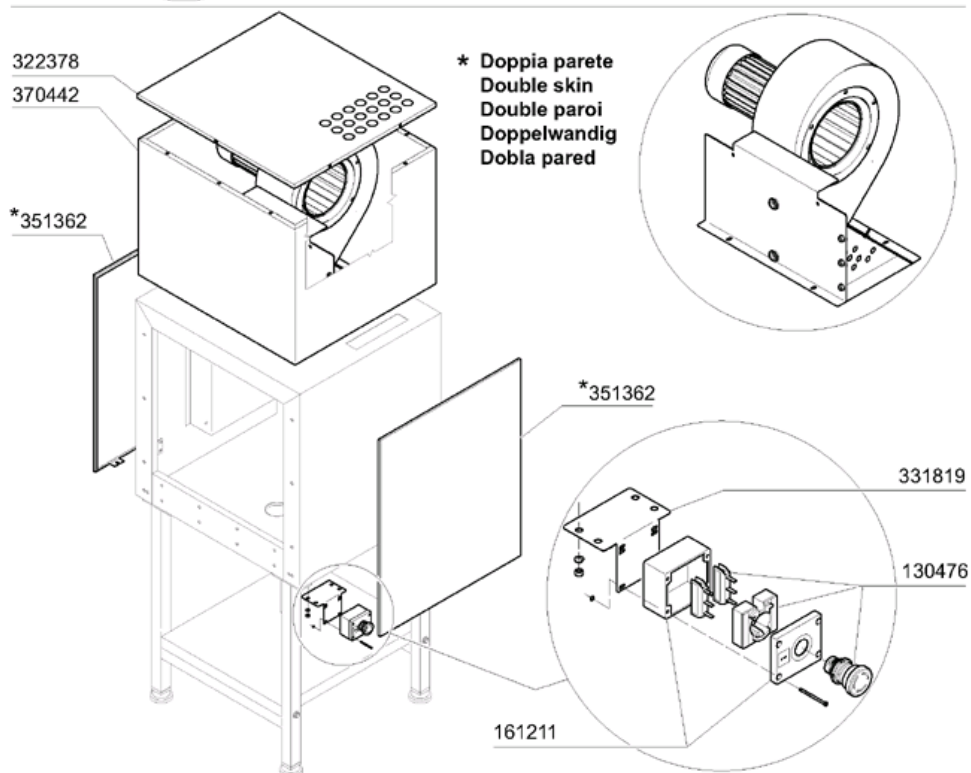
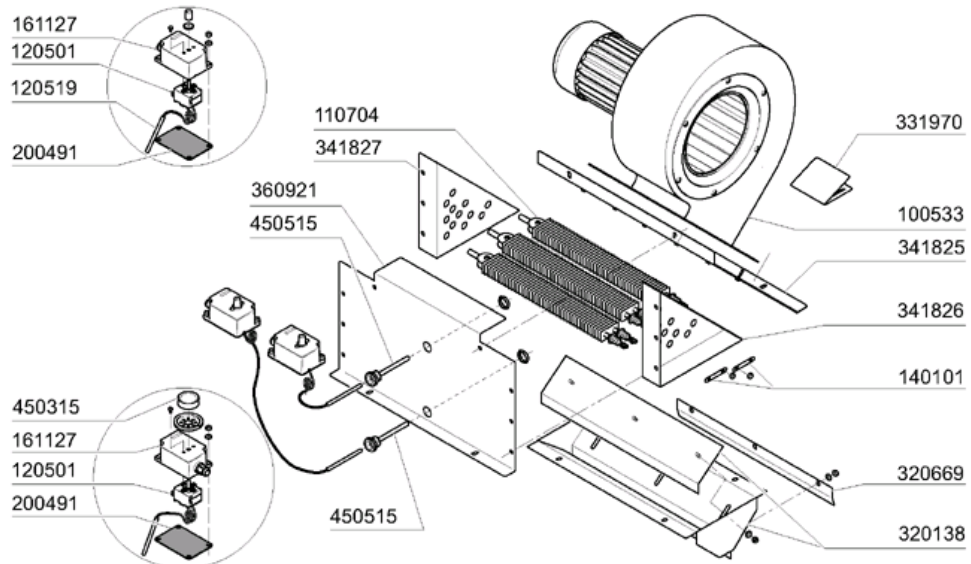
| 220/240 V 3 ~ | | | | | | | |
|--|--------------|---|---|--|-------|--|---|
| | KW | Teleruttore Contacteur Contactor Schaltschütz Contactor | A | Termica Termique Overload relay Termoausöser Termico | A | Fusibili Fusible Fuse Schmelzsicherung Fusible | A |
| M1  | 0,12 0,15 | 120468 | 9 | | 1÷1,6 | 130260 | 2 |
| M7  | 0,75 | 120468 | 9 | 120863 | 2,8÷4 | 130230 | 4 |
| M12  M8 | 0,55 | 120468 | 9 | 120863 | 2,8÷4 | 130230 | 4 |
| M14  | 0,09 | 120468 | 9 | | | 130259 | 1 |

| 380/415 V 3 ~ | | | | | | | |
|--|--------------|---|---|--|--------------------|--|---|
| | KW | Teleruttore Contacteur Contactor Schaltschütz Contactor | A | Termica Termique Overload relay Termoausöser Termico | A | Fusibili Fusible Fuse Schmelzsicherung Fusible | A |
| M1  | 0,12 0,15 | 120468 | 9 | 120858 120859 | 0,4÷0,63 0,63÷1 | 130260 | 2 |
| M7  | 0,75 | 120468 | 9 | 120862 | 1,7÷2,4 | 130230 | 4 |
| M12  M8 | 0,55 | 120468 | 9 | 120860 | 1÷1,4 | 130260 | 2 |
| M14  | 0,09 | 120468 | 9 | | | 130259 | 1 |

|  | | 220/240 V 3 ~ | | | | 380/415 V 3 ~ | | | | | | | |
|---|------|--|--------|---|--------|--|--------|--|--------|---|--------|--|--------|
| | | Fusibili Fusible Fuse Schmelzsicherung Fusible | | Teleruttore Contacteur Contactor Schaltschütz Contactor | | Termica Termique Overload relay Termoausöser Termico | | Fusibili Fusible Fuse Schmelzsicherung Fusible | | Teleruttore Contacteur Contactor Schaltschütz Contactor | | Termica Termique Overload relay Termoausöser Termico | |
| Hp | Kw | A | cod. | A | cod. | A | cod. | A | cod. | A | cod. | A | cod. |
| 0,2 | 0,15 | 4 | 130230 | 9 | 120468 | 1,00÷1,4 | 120860 | 2 | 130260 | 9 | 120468 | 0,4÷0,63 | 120858 |
| 1,5 | 1,1 | 8 | 130232 | 9 | 120468 | 4,5÷6,5 | 120864 | 4 | 130230 | 9 | 120468 | 2,8÷4 | 120863 |
| 2 | 1,5 | 8 | 130232 | 9 | 120468 | 6÷8,5 | 120865 | 6 | 130231 | 9 | 120468 | 4,5÷6,5 | 120864 |
| 3 | 2,2 | 12 | 130234 | 9 | 120468 | 7,5÷11 | 120866 | 6 | 130231 | 9 | 120468 | 4,5÷6,5 | 120864 |

01 - 2005 S. AG.

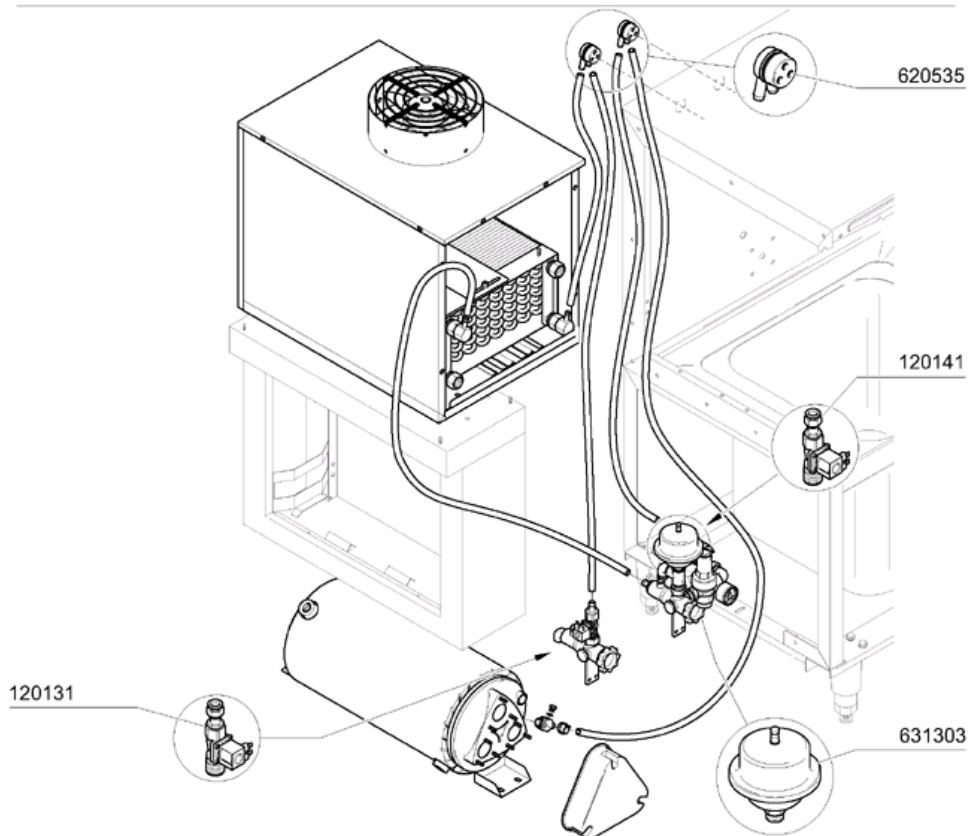
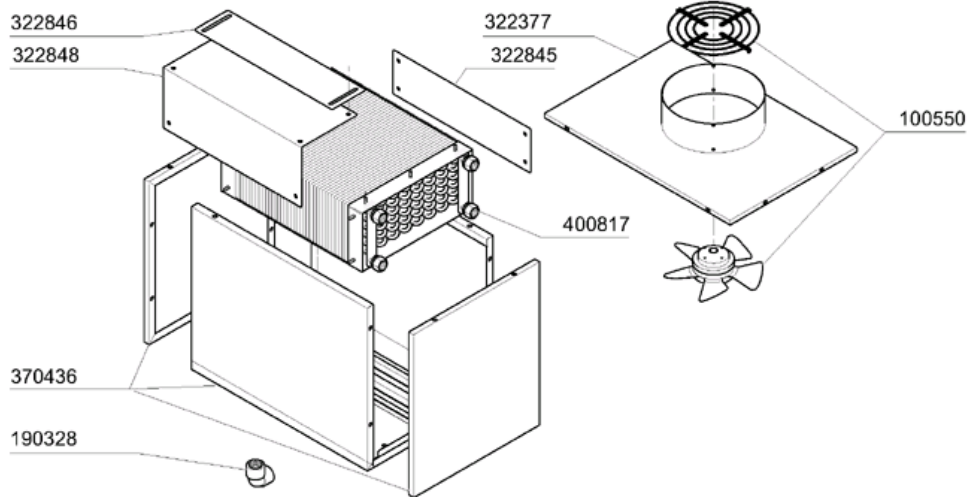
| CODE | DESCRIPTION |
|--------|------------------------------|
| 120468 | CONTACTOR ABB 9A 24V 50/60HZ |
| 120858 | OVERLOAD RELAY ABB 0,4-0,63A |
| 120859 | OVERLOAD RELAY ABB 0,63-1A |
| 120860 | OVERLOAD RELAY ABB 1-1,4A |
| 120862 | OVERLOAD RELAY ABB 1,7-2,4A |
| 120863 | OVERLOAD RELAY ABB 2,8-4A |
| 120864 | OVERLOAD RELAY ABB 4,5-6,5A |
| 120865 | OVERLOAD RELAY ABB 6-8,5A |
| 120866 | OVERLOAD RELAY ABB 7,5-11A |
| 130230 | FUSE 10,3X38 4A AM13004 |
| 130231 | FUSE 10,3X38 6A AM13006 |
| 130232 | FUSE 10,3X38 8A AM13008 |
| 130234 | FUSE 10,3X38 12A AM13012 |
| 130259 | FUSE 10,3X38 1A AM 13095 |
| 130260 | FUSE 10,3X38 2A AM 13001 |



21 - Blower Dryer

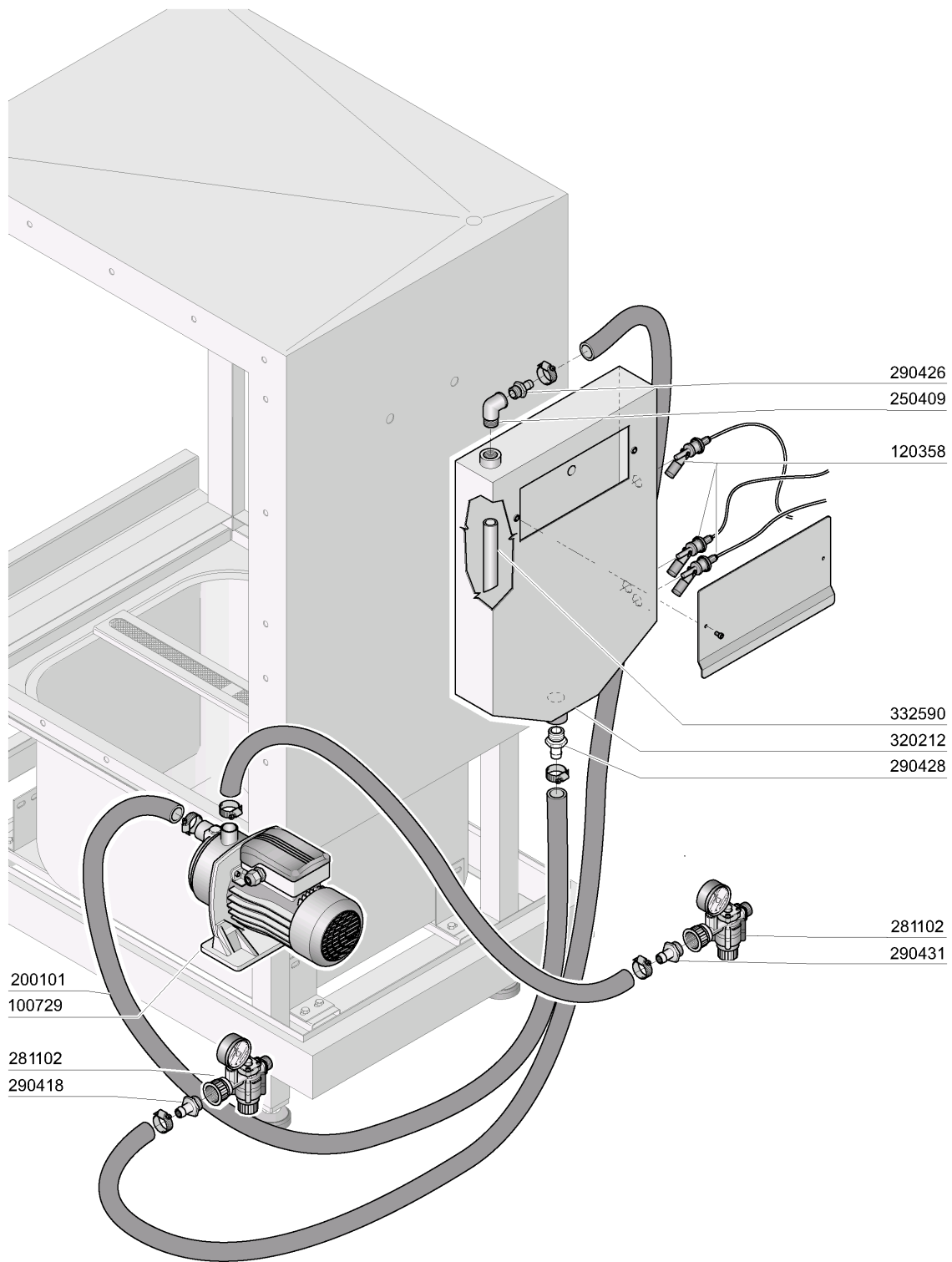
| CODE | DESCRIPTION |
|--------|--------------------------------|
| 100533 | FAN HP 1 220-240-380-415V VRP2 |
| 110704 | HEAT.ELEMENT/DRYING 1000W 220V |
| 120501 | THERMOSTAT 30/90ØC |
| 120519 | SECURITY THERMOSTAT 95-125Ø |
| 130476 | ROTATIVE EMERGENCY SWITCH |
| 140101 | BRASS CONNECT. PLATE HEAT.ELEM |
| 161127 | BOX FOR THERMOSTAT |
| 161211 | BOX |
| 200491 | BACK GASKET OF THERMOSTAT BOX |
| 320138 | DEFLECTOR F. DRYER |
| 320669 | FIXING PLATE |
| 322378 | COVER |
| 331819 | BRACKET FOR EMERGENCY PUSH BUT |
| 331970 | FAN SUPPORT |
| 341825 | DRYER FAN SUPPORT |
| 341826 | RIGHT SUPPORT |
| 341827 | LEFT SUPPORT |
| 351362 | INSULATED PANEL |
| 360921 | BACK PANEL FOR DRYER 3-4,5KW |
| 370442 | HOOD |
| 450315 | KNOB F. THERMOSTAT 90Ø |
| 450515 | STAINL.ST.SHIELD FOR 1 THERMOS |

22 - Heat Recovery Unit Compact



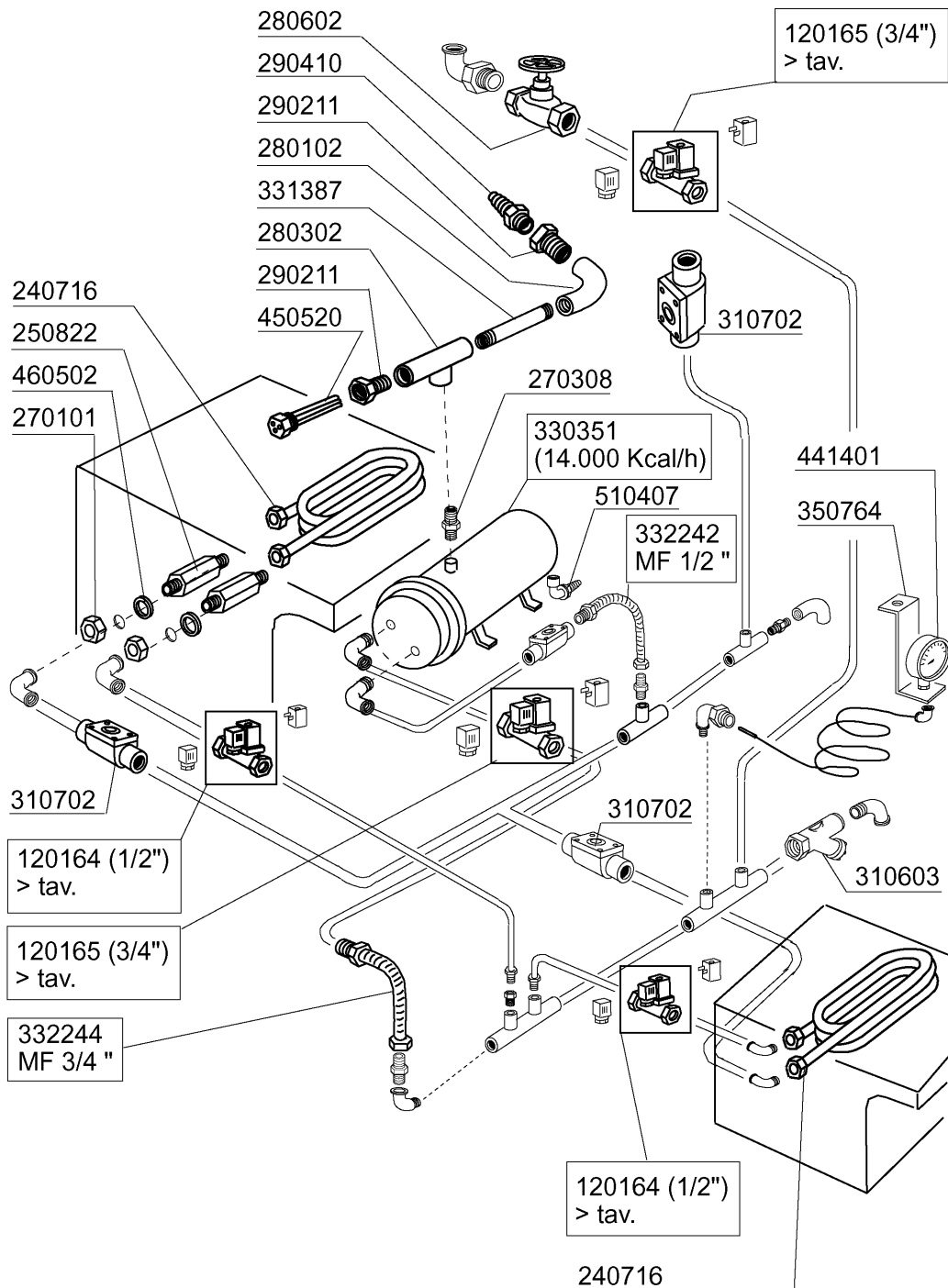
22 - Heat Recovery Unit Compact

| CODE | DESCRIPTION |
|-------------|--------------------------------|
| 100550 | FAN FOR HEAT RECOVERY UNIT |
| 120131 | SOLEN. L182Q31-ZB10A 1/2"24V |
| 120141 | SOLEN.VALVE METAL.328000 D.1/2 |
| 190328 | DRAIN 3/4" |
| 322377 | COVER |
| 322845 | COVER |
| 322846 | COVER |
| 322848 | COVER |
| 370436 | HOOD |
| 400817 | BATTERY FOR STEAM CONDENSER + |
| 620535 | VACUUM BREAKER |
| 631303 | HYDRAULIC AIR VESSEL FOR HEAT |



23 - Break tank_TR

| CODE | DESCRIPTION |
|--------|-------------------------------|
| 100729 | PUMP HP 0,4 220/240V 2HM3T |
| 120358 | FLOATING MAGN.SWITCH |
| 200101 | RUBBER TUBE 25X35 |
| 250409 | INOX ELL FF 1/2" |
| 281102 | 1/2" ADJ VALVE C/W GAUGE TYPE |
| 290418 | NIPPLE 1/2" |
| 290426 | NIPPLE 1/2" |
| 290428 | NIPPLE M.3/4" |
| 290431 | NIPPLE 1/2" |
| 320212 | BREAK TANK BOX |
| 332590 | STAINLESS STEEL HOSE FOR B.T. |



10 - 1998 | S.A.G.

24 - Steam version

| CODE | DESCRIPTION |
|--------|--------------------------------|
| 120164 | SOLE.N.VALVE ST.24V50HZ 1/2" |
| 120165 | SOLE.N.VALVE ST.24V50HZ 3/4" |
| 240716 | STEAM COIL G66-S3 |
| 250822 | EXTENSION 1/2" |
| 270101 | HEXAGON LOCK NUT 1/2" |
| 270308 | NIPPLES 3/4" |
| 280102 | ELL FF 3/4" |
| 280302 | HOSE CLAMPS STRAIGHT 3/4" |
| 280602 | GATE VALVE 3/4" BRASS |
| 290211 | NIPPLE 3/4"-1/2" (270311) |
| 290410 | NIPPLE 1/2" |
| 310603 | STRAINERS JU 1" MOD.45 |
| 310702 | STEAM TRAP 1/2" MK 25/3 |
| 330351 | STEAM BOILER 14000 KCAL/H |
| 331387 | HOSE 3/4" |
| 332242 | HOSE 1/2"-130X220- |
| 332244 | HOSE 3/4"-130X220- |
| 350764 | BRACKET |
| 441401 | PRESSURE GAUGE 60 SCALO-4CR1/4 |
| 450520 | THERMOSTAT SHIELD FOR 3 THERMO |
| 460502 | GASKET 30X21X2 |
| 510407 | NIPPLE FOR BOILER N S |

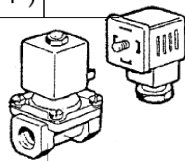
Low pressure

150034 (1/2")
150033 (1" - 3/4")

630976 (1")
630972 (1/2" - 3/4")

120164 (1/2")
120165 (3/4")
120166 (1")

630627 (1/2")
630628 (3/4")
630629 (1")



0 ÷ 2 bar

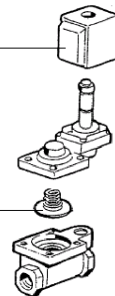
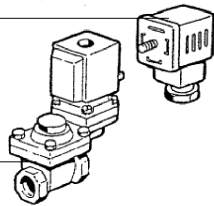
High pressure

150033

630972 (1")
630973 (3/4")
630973 (1/2")

120163 (1")
120162 (3/4")
120161 (1/2")

630626 (1")
630625 (3/4")
630624 (1/2")

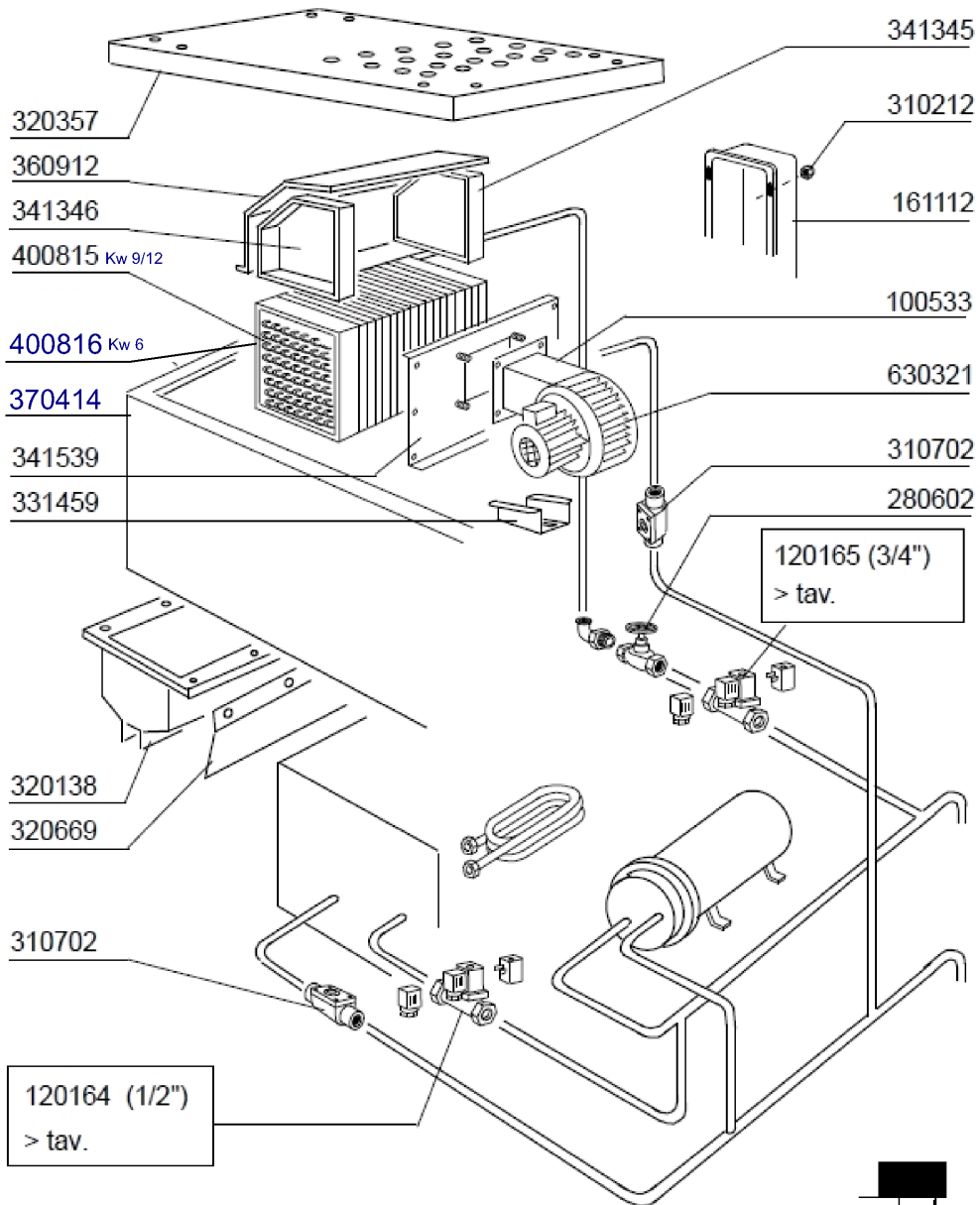


1 ÷ 3 bar

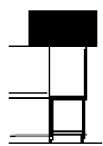
M.G. 03-2009

25 - Solenoid valve

| CODE | DESCRIPTION |
|--------|--------------------------------|
| 120161 | SOLEN.VAL.ST.L145R1Z734A 1/2 |
| 120162 | SOLENOID VALVE L145R1Z734A 3/4 |
| 120163 | SOLEN.VAL.ST.L145R1Z234A 1"24V |
| 120164 | SOLEN.VALVE ST.24V50HZ 1/2" |
| 120165 | SOLEN.VALVE ST.24V50HZ 3/4" |
| 120166 | STEAM SOLEN.VALVE 1" 24V-50 |
| 150033 | CONNEC.F.SOLEN.VALVE 182.09.N |
| 150034 | CONNEC.F.SOLEN.VALVE 122.09.N |
| 630624 | KIT F.SOLEN.VALVE L145 1/2 G26 |
| 630625 | KIT F.SOLEN.VALVE |
| 630626 | KIT FOR SOLENOID VALVE 145 1" |
| 630627 | KIT F.SOLEN.V. L153D1 1/2" |
| 630628 | KIT F.SOLEN.V.L153D1 3/4" |
| 630629 | KIT SOLENOID VALVE 1" STEAM L1 |
| 630972 | COIL Z534A/V.24-L145A-3/4 |
| 630973 | COIL Z614A/V.24-L145-3/4 A |
| 630976 | COIL Z114A/V24/50HZ L153-1" |



04 - 2009 M.G.



26 - Steam Blower Dryer

| CODE | DESCRIPTION |
|--------|--------------------------------|
| 100533 | FAN HP 1 220-240-380-415V VRP2 |
| 120164 | SOLE.N.VALVE ST.24V50HZ 1/2" |
| 120165 | SOLE.N.VALVE ST.24V50HZ 3/4" |
| 161112 | BACK COVER CHANNEL 300 S N |
| 280602 | GATE VALVE 3/4" BRASS |
| 310212 | BLIND NUT M6 BLACK NYLON |
| 310702 | STEAM TRAP 1/2" MK 25/3 |
| 320138 | DEFLECTOR F. DRYER |
| 320357 | DRYER COVER |
| 320669 | FIXING PLATE |
| 331459 | BRACKET FOR DRYING VENTILATOR |
| 341345 | RIGHT PANEL |
| 341346 | LEFT PANEL |
| 341539 | INSULATED HOOD F.PREWASH 600MM |
| 360912 | BACK PANEL |
| 370414 | DRYING MODULE |
| 400815 | BATTERY FOR DRYING (9-12KW) SE |
| 400816 | BATTERY FOR DRYING (6KW) S |
| 630321 | FAN IMPELLOR FOR C 100533 1HP |